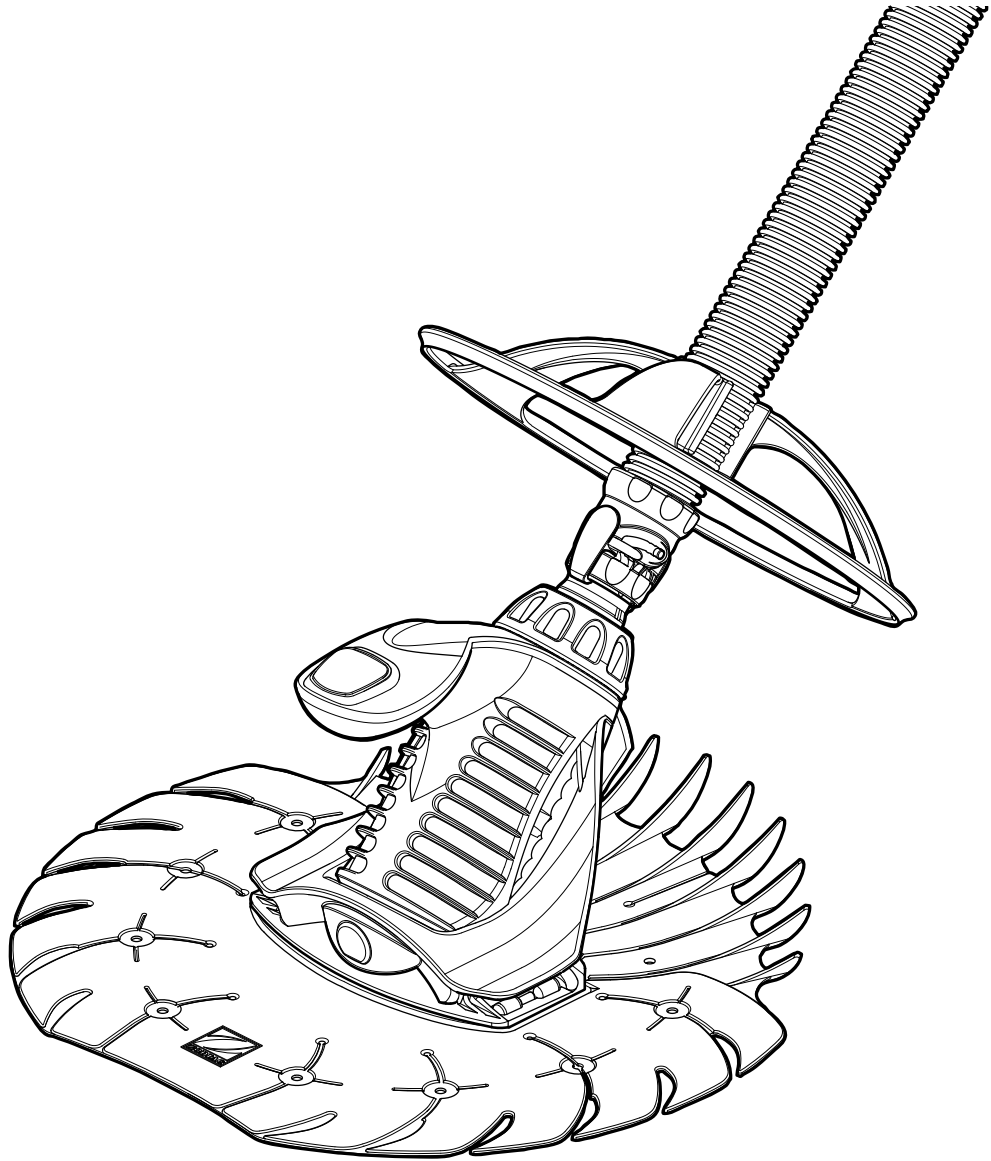




**ZODIAC**<sup>®</sup>

# OWNER'S MANUAL

ENGLISH | FRANÇAIS | ESPAÑOL



**TS**<sup>®</sup>  
O.P.O.

## Important Information

### WARNING

**RISK OF SUCTION ENTRAPMENT HAZARD, WHICH, IF NOT AVOIDED CAN RESULT IN SERIOUS INJURY OR DEATH. READ THIS MANUAL IN ITS ENTIRETY BEFORE INSTALLING AND OPERATING THE CLEANER.** Ensure that your vacuum suction fittings installed in your pool for connection of your suction-side pool cleaner are certified as being compliant with applicable safety standards such as IAPMO SPS 4. Do not block the suction fittings in the pool, the suction opening on the cleaner, or the cleaner hoses with any part or your body. Do not expose your hair, loose clothing, jewelry, etc. to any suction outlet fittings in the pool/spa or on the cleaner.

**Notice for Vinyl Liner Pools:** Before installing your new automatic pool cleaner, examine the interior of your pool carefully. If the vinyl liner is brittle or has stones, wrinkles, roots or metal corrosion in contact with the underside of the liner, or has damage to the base material or supporting walls, do not install the cleaner before having a qualified professional perform the necessary repairs or liner replacement. **Zodiac Pool Systems, Inc. will not be responsible for liner damage.** Please see the Limited Warranty.

- **To help prevent suction entrapment accidents,** wall vacuum fittings should have a safety vac lock installed. Contact your builder or retail pool professional for details.
- Clean the skimmer basket, pump basket and pool filter before installing the cleaner and on a regular basis thereafter.
- Always disconnect the cleaner before cleaning or backwashing the pool filter. After cleaning, let the filtration system run for at least five (5) minutes before re-connecting the cleaner.
- Remove the cleaner from the pool before chemical or shock treatments. Wait a minimum of four (4) hours after super chlorination before re-installing the cleaner.

### For customer service or support:

**Zodiac Pool Systems, Inc.**

2620 Commerce Way

Vista, CA 92081-8438

1-800-822-7933

[www.zodiacpoolsystems.com](http://www.zodiacpoolsystems.com)

To ensure prompt warranty service, should it be required, please:

- Complete and return the Zodiac Warranty Card.
- Record your purchase information.
- Attach a copy of your purchase receipt to this document.

Date of Purchase: \_\_\_\_\_ Purchased From: \_\_\_\_\_

Serial Number (Located on underside of cleaner) \_\_\_\_\_

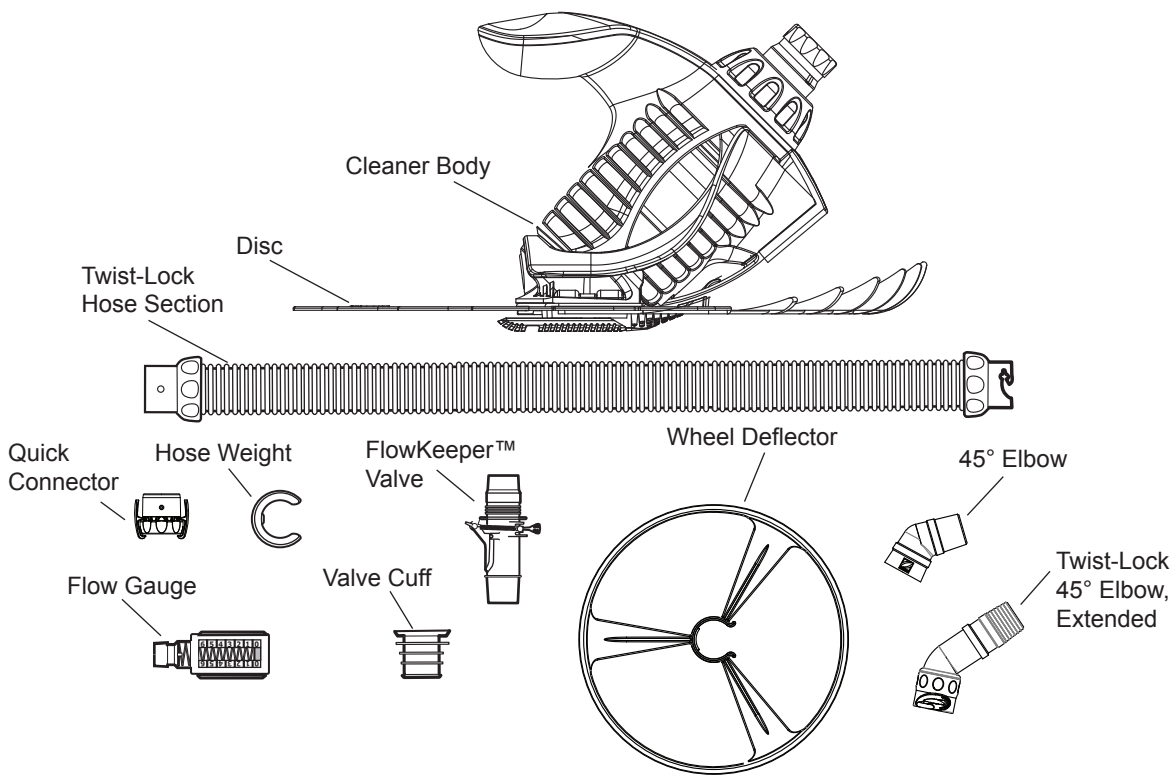
If service is required, simply present your owner's manual with the attached receipt to a registered Zodiac warranty service provider.

# Introduction

Congratulations on the purchase of your new Zodiac T5 Duo suction-side pool cleaner. The T5 Duo cleaner is designed and manufactured for easy installation and years of low maintenance operation.

The T5 Duo connects to a dedicated cleaner (suction) line or a pool skimmer. As water flows through the cleaner, dirt and debris are pulled directly into the pool filtration system.

Before installing the cleaner, please take a few moments to become familiar with its components and to review the items listed under **Important Information** on the previous page.



# Installation

## Prepare the Pool

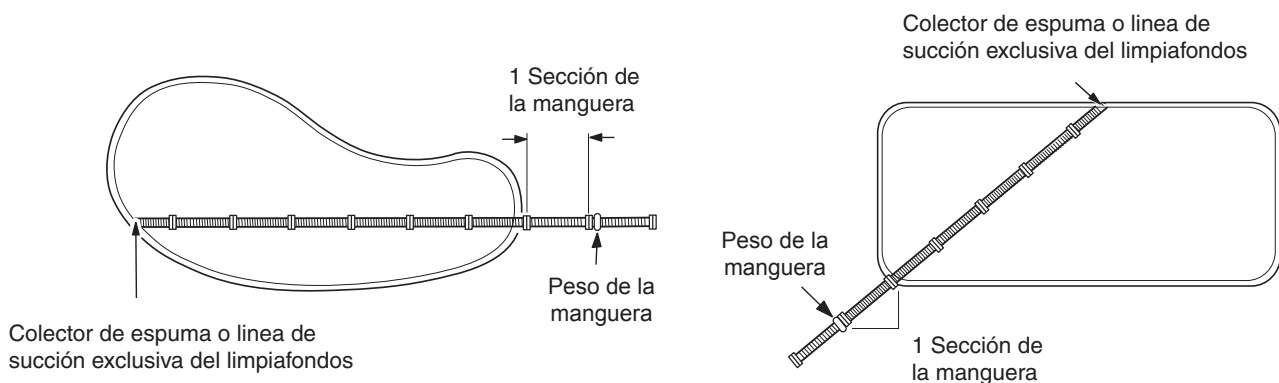
1. Manually vacuum the pool if excessive debris is present, and make sure the pool filter and pump basket are clean.
2. Close the pool main drain line.
3. **Adjust the return lines to blow downward to ensure complete cleaning coverage.**
  - Loosen the fitting lock ring
  - Redirect the eyeball downward
  - Retighten the lock ring

If the return fitting cannot be adjusted, it **MUST** be replaced with a Zodiac return line diverter [part #W90153 for 1 ½ in. (3.8 cm), #W90155 for 2 in. (5 cm) or #W24100 for pools without return fittings].

## Assemble the Hose

The hoses are fitted with easy twist-lock connectors. Push and twist the connectors on each hose section until they lock into position with a clicking sound.

1. Connect enough hose to reach the farthest point of the pool; then add two (2) hose sections.
2. Position the hose weight at the end of the first hose section, about 39 in. (1 m) from the cleaner.



## Connect the Hose

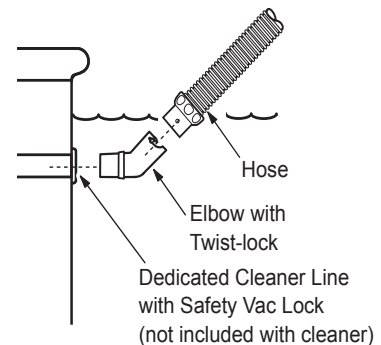
### **⚠ WARNING**

**RISK OF SUCTION ENTRAPMENT HAZARD, WHICH, IF NOT AVOIDED CAN RESULT IN SERIOUS INJURY OR DEATH. READ THIS MANUAL IN ITS ENTIRETY BEFORE INSTALLING AND OPERATING THE CLEANER.** Ensure that your vacuum suction fittings installed in your pool for connection of your suction-side pool cleaner are certified as being compliant with applicable safety standards such as IAPMO SPS 4. Do not block the suction fittings in the pool, the suction opening on the cleaner, or the cleaner hoses with any part of your body. Do not expose your hair, loose clothing, jewelry, etc. to any suction outlet fittings in the pool/spa or on the cleaner.

Turn on the filtration system and fill the hose with water by placing the end in front of a return inlet until it is flooded. Turn off the pump.

### To connect to a dedicated suction line:

1. Attach the male end of the hose to the twist-lock elbow.
2. Connect the elbow to the safety vac wall fitting.
3. Angle the elbow upward towards the water surface (see diagram).



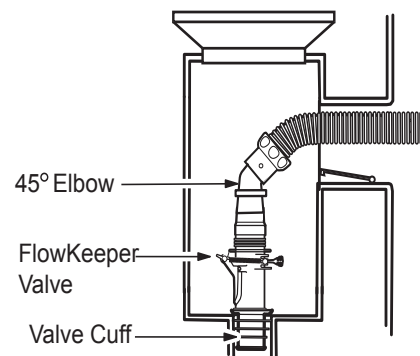
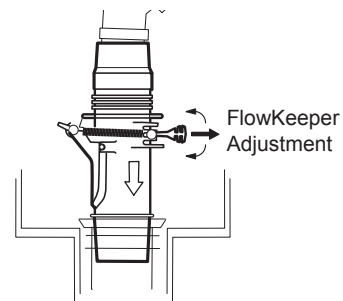
### To connect to a skimmer:

**The FlowKeeper™ valve must always be used in single skimmer installations.** The valve regulates flow to ensure the pool pump and cleaner run properly. It is pre-set at the factory to optimize the performance of the cleaner, but offers three (3) settings to adjust the flow. The lower the setting number, the lower the flow. To adjust, pull the handle and move setting up or down. The red tab can be used to open the valve and stop the cleaner.

If the pool has more than one (1) skimmer, connect the hose to the one (1) closest to the pump.

The parts used to connect the hose and the sequence in which they are installed depend on the type of skimmer.

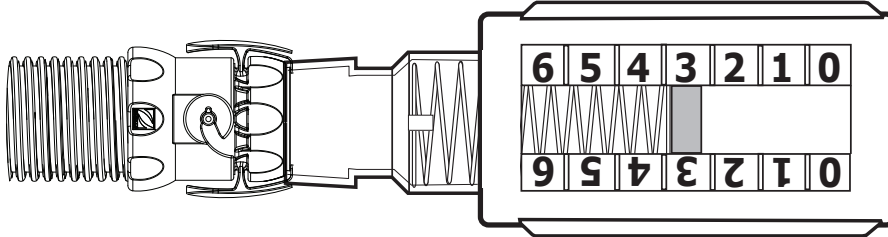
1. Remove the skimmer basket.
2. Insert the valve cuff and connect the FlowKeeper with the arrow pointing down towards the bottom of the skimmer.
3. Choose the fitting combination that best suits the skimmer to complete the connection. Slide the 45° elbow over the FlowKeeper valve and the male end of the hose over the elbow, or slide the hose directly onto the FlowKeeper valve.



## Test and Adjust for Proper Flow

Before installing the cleaner head, test and adjust for proper flow. Keeping the hose submerged, attach the quick connector to the end of the hose. Click the Flow Gauge onto the connector and turn on the pump.

Verify that the red indicator in the gauge (viewed from the side) is on the Number 3 setting.



If necessary, use the valves in the pool equipment area to adjust the flow so that the red indicator is at the Number 3 setting.

- **For skimmer connections on pools with one (1) skimmer**, flow is regulated by the FlowKeeper™ Valve. The red indicator should be at the Number 3 setting.
- **For skimmer connections on pools with more than one (1) skimmer**, leave the valve for the skimmer connected to the hose open, then slowly close the other skimmer until the Number 3 setting is reached.
- **For dedicated suction line connections**, leave the vacuum line open and slowly close the skimmer line until the flow is at the Number 3 setting.

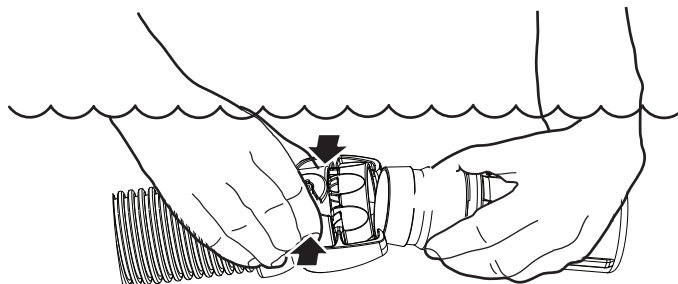
### If flow is in the low range (0-2):

- Check and clean the pool filter and baskets if necessary.
- Verify that valves controlling the suction lines are in the open position.
- Increase the flow setting on the FlowKeeper Valve

### If flow is in the high range (4-6):

- If using a dedicated suction line, begin to slowly close the valve until the Number 3 setting is reached.
- Lower the flow setting on the FlowKeeper Valve.
- Open the main drain slightly to further reduce flow.

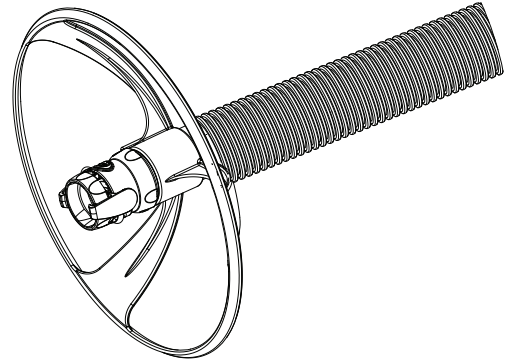
**Turn off the pump.** Keeping the hose underwater, remove the Flow Gauge by squeezing the pressure points on either side of the quick connector.



## Connect the Wheel Deflector Ring

The wheel deflector ring can be used to help direct the T5 Duo around steps and other obstacles in the pool. Attach the wheel deflector ring just above the first hose cuff.

To attach, insert the end of the cleaner hose through the outer ring and push the C-clip over the hose.

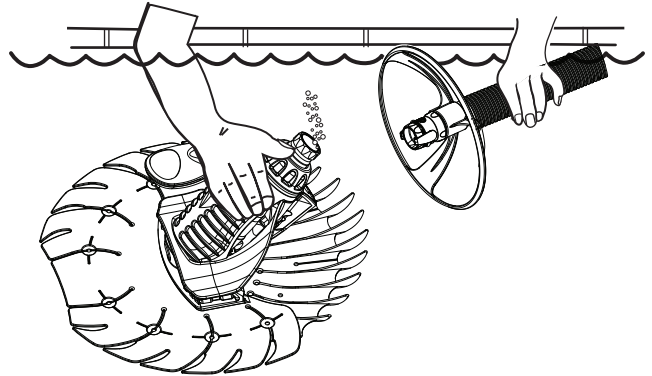


## Connect the Cleaner

### **WARNING**

To avoid serious injury, turn off the suction pump for the cleaner before performing this step.

1. Submerge the cleaner and flood it with water.
2. When bubbles stop coming out of the cleaner, connect the hose to the cleaner by pushing the quick connector onto the outer extension pipe until it locks into position with a clicking sound.
3. Allow the cleaner to drift to the bottom of the pool. Turn on the pool pump to begin cleaning. Installation is complete.



## Operation and Maintenance

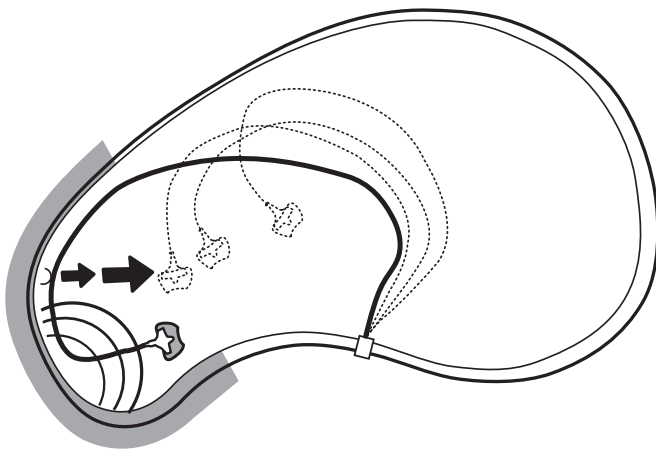
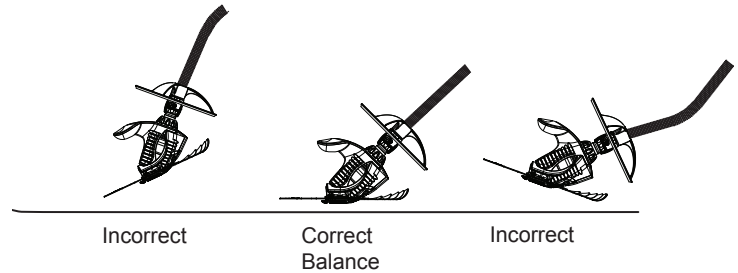
### Fine Tuning Cleaner Performance

The T5 Duo cycles on/off with the pool filtration pump vacuuming and cleaning all surfaces randomly throughout the pool. The coverage of the cleaner is dependent on the pool's shape and available water flow. In some pools, adjustments may be necessary to optimize cleaning coverage.

### Properly Balanced Hose

A properly balanced hose will create a 45° angle to the cleaner and the bottom of the pool.

In pools 8 ½ ft. (2.5 m) or deeper, an extra hose weight (part #W83247) may be necessary. Attach the extra weight 5 - 8 ft. (1.5 - 2.5 m) from the cleaner.



### Return Line Installed

A return line can be used to guide the cleaner away from steps or areas with V-shaped corners, and reduce patterning.

Direct the return line to gently push the cleaner hose by positioning the return directional eyeball so it aims towards the wall on the opposite side of the pool. Adjust until surface movement is visible 8 ft. (2.5 m) out from the return.

In this example, any return within the grey area can be used.

### Routine Maintenance

To maintain performance:

- Never coil the hose. Straighten coiled or kinked hoses with warm water or by laying hoses straight in the sun for several hours until heated, then reshape manually. **A kinked or coiled hose will adversely affect the cleaner's coverage of the pool.**
- When the cleaner is not in the pool, keep the disc flat to avoid warping.
- Periodically inspect cleaner parts for wear. Replace the footpad when the depths of the channels between the treads are 1/16 in. (1.6 mm) or less.
- Thoroughly clean the skimmer basket, pump basket and filter regularly.
- Always disconnect the cleaner from the pool wall or skimmer before cleaning or backwashing the pool filter. After cleaning or backwashing, let the filtration system run for at least five (5) minutes before re-connecting the cleaner.



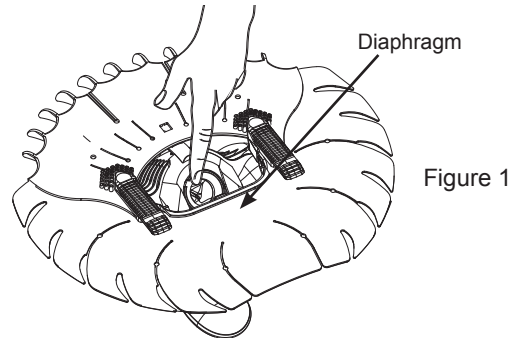
## Clearing the Diaphragm

### WARNING

To avoid serious injury, turn off the suction pump for the cleaner before performing this step.

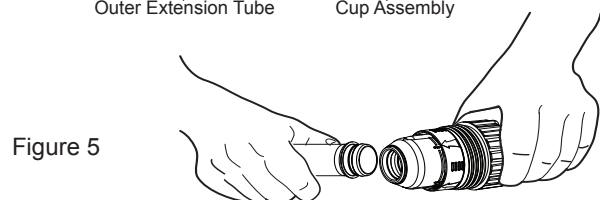
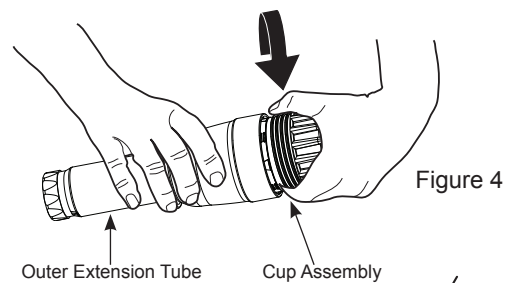
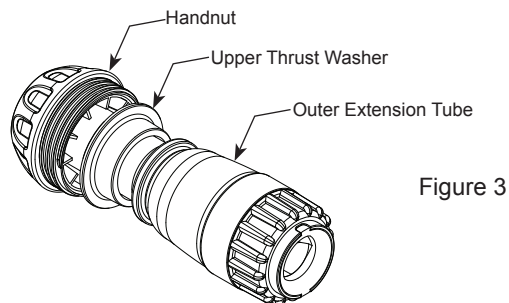
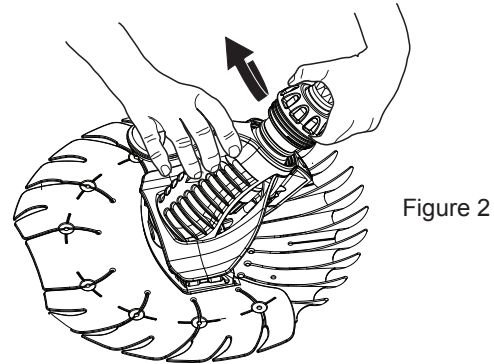
If the cleaner stops, turn off the suction pump for the cleaner, remove the cleaner from the water, and then check the diaphragm for blockage.

1. Turn cleaner over (see Figure 1).
2. Inspect diaphragm and push through debris or obstacles to clear. If not blocked, check the diaphragm for wear or damage.



### To remove the diaphragm:

1. Unthread the handnut (see Figure 2).
2. Remove the handnut, engine, and upper thrust washer from the body (see Figure 3).
3. Set aside the handnut and the upper thrust washer.
4. Unscrew the outer extension tube from the cup assembly (see Figure 4).
5. Separate the inner extension tube and pull out the diaphragm (see Figure 5).
6. Inspect the diaphragm for wear and rinse it thoroughly with water. Replace it if necessary.



## To reinstall diaphragm:

1. Attach diaphragm to inner extension tube.
2. Insert inner pipe and diaphragm into cup assembly. Align diaphragm tabs with notches and pull straight through (do not twist) until the edge of the diaphragm is visible (see Figures 6 and 7).
3. Thread on the outer extension tube and slide the thrust washer and the handnut over the outer extension tube (see Figure 8).
4. Insert the engine into the body and thread the handnut down tight (see Figure 9).
5. Make sure the extension tube swivels freely by spinning it (see Figure 10).

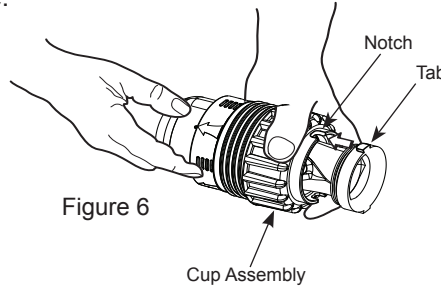


Figure 6

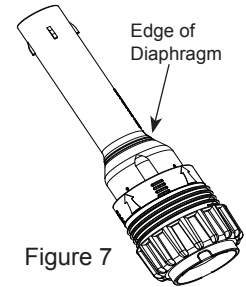


Figure 7

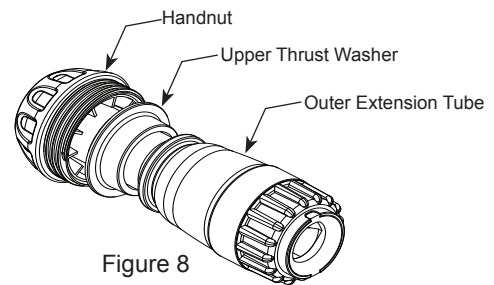


Figure 8

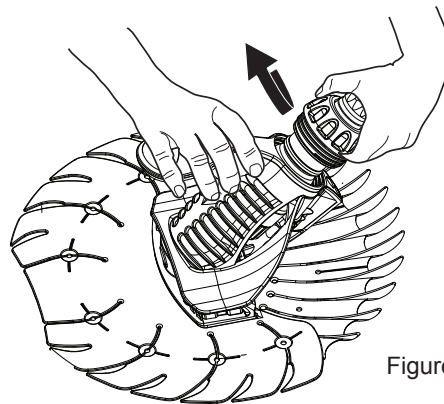


Figure 9

## Storage and Winterizing

Never coil the hose. Store the T5 Duo out of direct sunlight. When storing for the winter, drain all water from the cleaner. Remove all connectors and adapters from the dedicated suction line or skimmer. Store the disc flat, and hose sections disconnected, drained and straight.

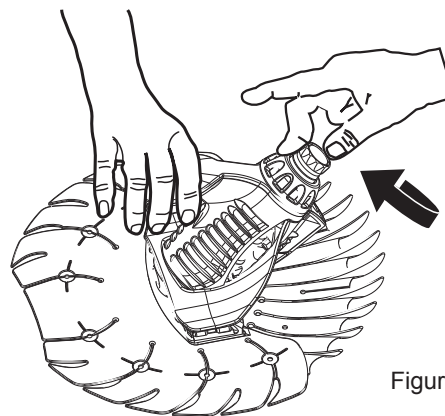
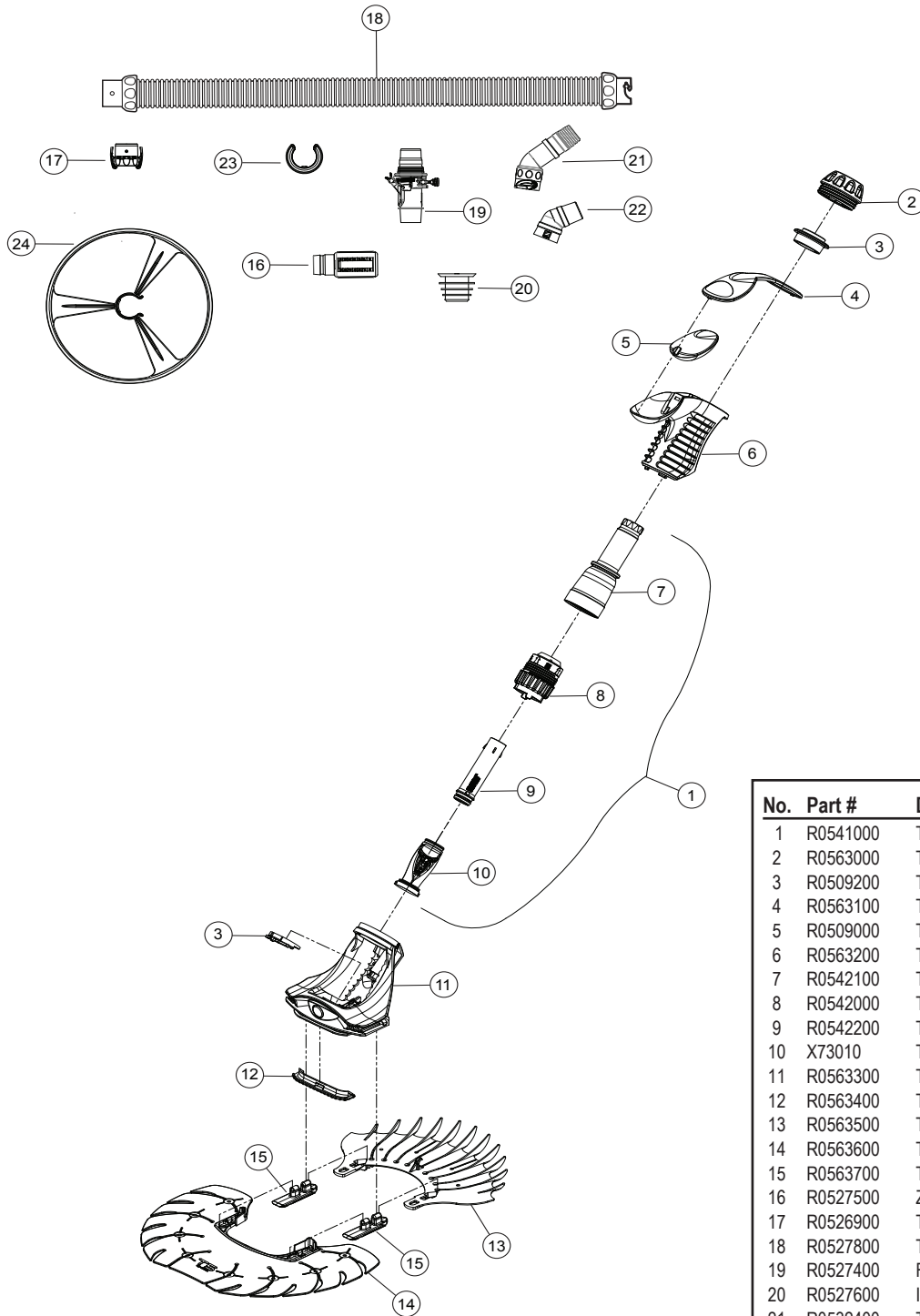


Figure 10

# T5 Duo Parts Diagram



No.	Part #	Description	Qty
1	R0541000	T5 Engine Assembly	1
2	R0563000	T5 Handnut	1
3	R0509200	T5 Thrust Washers	2
4	R0563100	T5 Main Body Cap	1
5	R0509000	T5 Float	1
6	R0563200	T5 Main Body Cover	1
7	R0542100	T5 Outer Extension Tube	1
8	R0542000	T5 Cup Assembly	1
9	R0542200	T5 Inner Extension Tube	1
10	X73010	T5 Diaphragm	1
11	R0563300	T5 Body Assembly with Bumper	1
12	R0563400	T5 Skid Plate	1
13	R0563500	T5 Front Disc	1
14	R0563600	T5 Rear Disc	1
15	R0563700	T5 Foot Pads	2
16	R0527500	Zodiac Flow Gauge	1
17	R0526900	T5 Quick Connector	1
18	R0527800	Twist Lock Hose - 1 Meter, (12 Pack)	1
19	R0527400	Flowkeeper™ Valve	1
20	R0527600	In-ground Valve Cuff	1
21	R0532400	Twist-Lock 45° Elbow, Extended	1
22	R0532500	45° Weir Elbow (EVA)	1
23	R0542600	Universal Hose Weight	1
24	R0541900	T5 Wheel Deflector, Hose Mount	1

## Troubleshooting

If you experience a problem with your T5 Duo, please follow the troubleshooting steps below to restore performance. If further assistance is required, contact Zodiac Customer Service. Please have your serial number and date of purchase available when you call.

<b>Problem</b>	<b>Solution</b>
Cleaner does not move or moves slowly.	<ul style="list-style-type: none"> <li>• Use Flow Gauge to verify proper flow.</li> <li>• Confirm that the main drain is closed.</li> <li>• Check diaphragm for blockage, damage or wear.</li> <li>• Backwash filter and empty pump basket.</li> <li>• Check for air in system. If water level in pump basket drops or you see excessive air bubbles in the pump basket or coming from the return lines, there is air in the system. Check hose connections, tighten all fittings at pump and check o-ring at pump basket for wear.</li> </ul>
Cleaner patterns, does not cover entire pool.	<ul style="list-style-type: none"> <li>• Use Flow Gauge to verify proper flow. Reduce flow to move cleaner off the walls.</li> <li>• Ensure return fittings are directed down. Add a return diverter if necessary.</li> <li>• Make sure hose is not coiled or kinked. Lay in sun to straighten if necessary.</li> <li>• Verify correct hose weight positioning: 39 in. (1 m) from cleaner.</li> <li>• Verify that the engine assembly spins freely inside the cleaner body.</li> <li>• Confirm proper hose length.</li> </ul>
Cleaner gets stuck at steps.	<ul style="list-style-type: none"> <li>• Use Flow Gauge to verify proper flow.</li> <li>• Confirm proper hose length. Shorten if necessary.</li> <li>• Use return jets to guide cleaner.</li> </ul>
Cleaner stays on walls or edge of pool.	<ul style="list-style-type: none"> <li>• Using Flow Gauge as guide, reduce flow to number 2 setting.</li> <li>• Verify correct hose weight positioning: 39 in. (1 m) from cleaner.</li> </ul>
Cleaner won't climb walls.	<ul style="list-style-type: none"> <li>• Use Flow Gauge to verify proper flow, number 3 setting.</li> <li>• Verify correct hose weight positioning: 39 in. (1 m) from cleaner.</li> </ul>

## Information Importante

### AVERTISSEMENT

**RISQUE DE PIÉGEAGE DANS LA CONDUITE D'ASPIRATION QUI, SI NON ÉVITÉ, POURRAIT ENTRAÎNER DES BLESSURES GRAVES OU LA MORT. LIRE LE PRÉSENT MANUEL EN ENTIER AVANT L'INSTALLATION ET LE FONCTIONNEMENT DU ROBOT.** S'assurer que les raccords d'aspiration installés dans votre piscine pour connecter le robot de piscine du côté aspiration sont homologués aux normes de sécurité applicables telles que IAPMO SPS 4. Ne pas obstruer les raccords d'aspiration dans la piscine, l'ouverture de l'aspiration du robot ou ses flexibles avec quelque partie du corps que ce soit. Garder les cheveux, les vêtements amples, les bijoux, etc. loin des raccords d'aspiration de la piscine/du spa ou du robot.

**Avis pour les piscines à revêtement en vinyle :** Avant l'installation de votre nouveau robot de piscine, examiner avec soin tout l'intérieur de votre piscine. Si le revêtement en vinyle est effrité ou a des cailloux, des replis, des racines ou une présence de corrosion métallique en contact avec le dessous du revêtement ou si le matériel de la base ou les parois de soutien sont endommagés, ne pas installer le robot avant d'avoir fait réparer ou remplacé le revêtement par un professionnel agréé. **Zodiac Pool Systems, Inc. ne sera pas tenue responsable des dommages au revêtement.** Veuillez lire la garantie limitée du produit.

- **Pour éviter les accidents d'aspiration,** les installations d'aspiration du mur devraient avoir un verrou de sécurité installé. Veuillez communiquer avec votre constructeur ou professionnel de piscines pour davantage de détails.
- Nettoyez le panier de l'écumoire, le panier de la pompe et le filtre de piscine, avant d'installer le robot et de façon régulière par la suite.
- Déconnectez toujours le robot avant de nettoyer ou faire un lavage à contre-courant du filtre de la piscine. Après le nettoyage, laisser le système de filtration fonctionner pendant au moins cinq (5) minutes avant de raccorder le robot de nouveau.
- Enlevez le robot de la piscine avant de faire des traitements choc ou avec de produits chimiques. Attendre au moins quatre (4) heures après la super chloration avant de réinstaller le robot.

### Pour le service à la clientèle ou soutien technique :

**Zodiac Pool Systems, Inc.**  
2620 Commerce Way  
Vista, CA 92081-8438  
1-800-822-7933

**Zodiac Pool Systems Canada, Inc.**  
2115 South Service Road West, unit 3  
Oakville, ON L6L 5W2  
1-888-647-4004

[www.zodiacpoolsystems.com](http://www.zodiacpoolsystems.com)

[www.zodiacpoolsystems.ca](http://www.zodiacpoolsystems.ca)

Pour assurer un service rapide dans la garantie, il est exigé de :

- Remplir et renvoyer la carte de garantie Zodiac.
- Enregistrer votre information d'achat.
- Attacher une copie de votre reçu d'achat à ce document.

Date d'achat : \_\_\_\_\_ Vendeur : \_\_\_\_\_

Numéro de série (situé en dessous du robot) \_\_\_\_\_

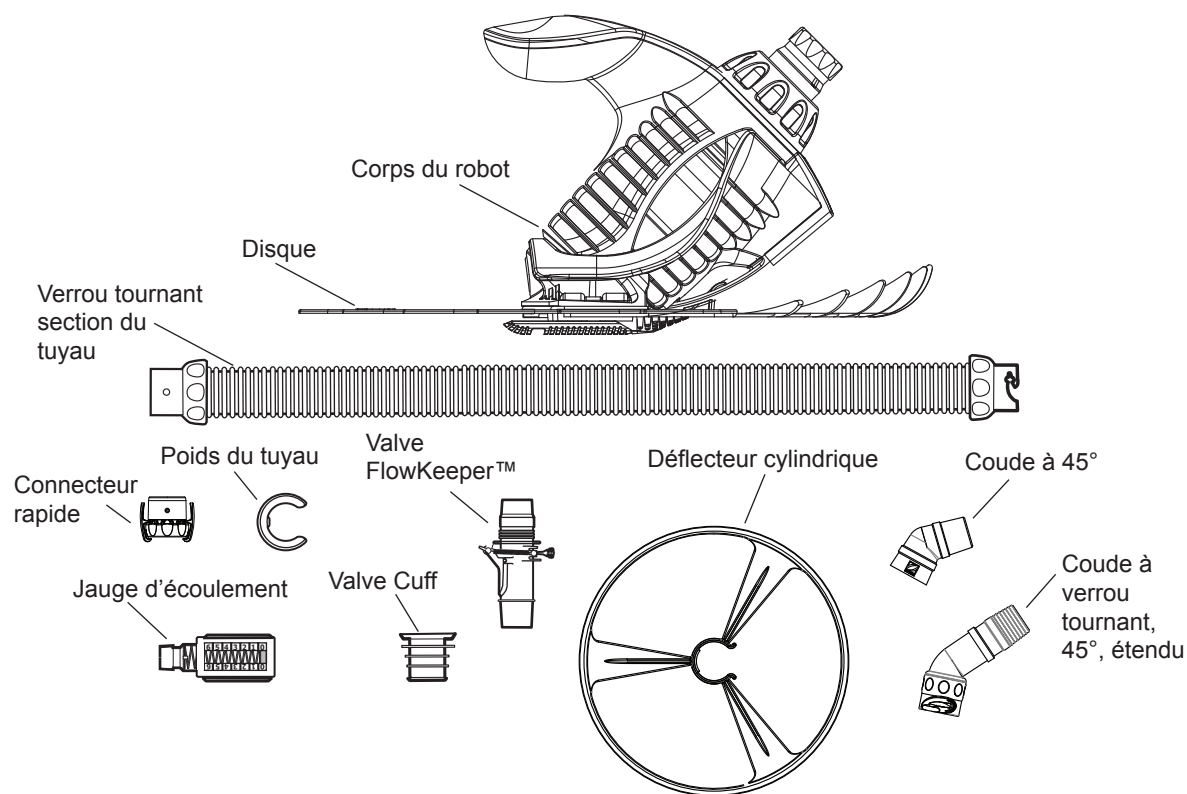
Si vous avez besoin du service, présentez simplement le guide du propriétaire avec le reçu à un fournisseur de service de garantie Zodiac enregistré.

# Introduction

Félicitations pour l'achat de votre nouveau Zodiac T5 Duo aspirateur de piscine côté aspiration. Construit avec la technologie éprouvée, le T5 Duo est conçu et fabriqué pour une installation facile et des années de fonctionnement sans souci.

Le T5 Duo se raccorde à une ligne de robot dédiée (aspiration) ou à une écumoire de piscine. Lorsque l'eau coule à travers le robot, la saleté et les débris sont introduits directement dans le système de filtration de la piscine.

Avant l'installation du robot, veuillez prendre quelques instants pour bien comprendre ses composants et revoir les articles énumérés sous **Information Importante** à la page précédente.



# Installation rapide

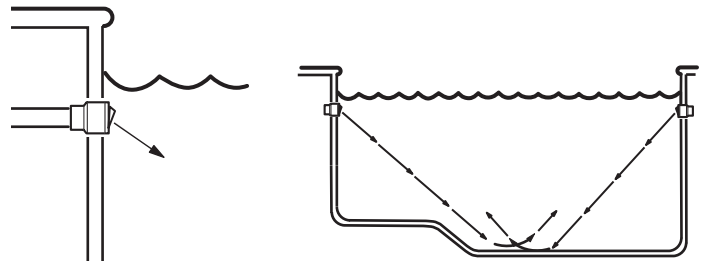
## Préparation de la piscine

1. Aspirez manuellement la piscine s'il y a des débris excessifs, et assurez-vous que le filtre de la piscine et le panier de la pompe de piscine sont propres.

2. Fermez la ligne du drain de fond de la piscine.

3. **Ajustez les retours d'eau vers le bas pour interrompre la circulation de la surface et pour assurer une couverture complète de nettoyage.**

- Détachez le joint à verrou ajustable
- Réorientez le globe oculaire vers le bas
- Resserrez le joint à verrou

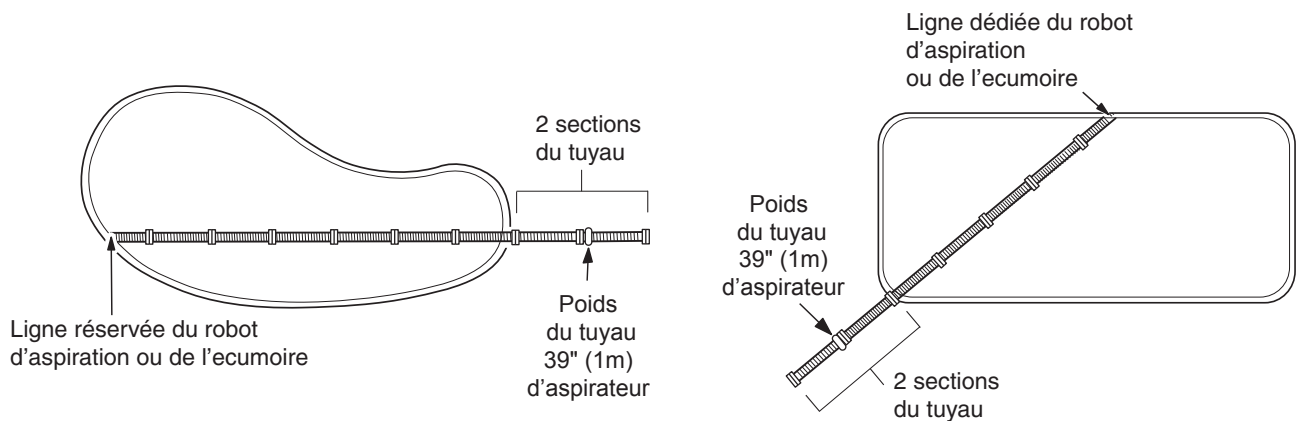


Si l'installation de retour ne peut pas être ajustée, elle DOIT être remplacée avec le détour de la ligne de retour de Zodiac (pièce n° W90153 pour 3,8 cm (1,5 po.), n° W90155 pour 5 cm (2 po.) ou n° W24100 pour des piscines sans installations de retour).

## Assemblage du tuyau

Le tuyau emploie des connecteurs à verrou tournant faciles à utiliser. Poussez et tournez les connecteurs sur chaque section du tuyau, jusqu'à ce qu'ils soient à la position correcte (ils feront un déclic).

1. Raccorder suffisamment de flexible pour atteindre le point le plus éloigné de la piscine, puis ajouter deux (2) flexibles supplémentaires.
2. Positionner le poids du flexible à l'extrémité de la première section, à environ 1 m (39 po) du robot.



## Raccordement du tuyau

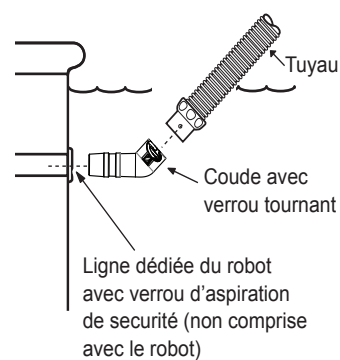
### ⚠ AVERTISSEMENT

**RISQUE DE PIÉGEAGE DANS LA CONDUITE D'ASPIRATION QUI, SI NON ÉVITÉ, POURRAIT ENTRAÎNER DES BLESSURES GRAVES OU LA MORT. LIRE LE PRÉSENT MANUEL EN ENTIER AVANT L'INSTALLATION ET LE FONCTIONNEMENT DU ROBOT.** S'assurer que les raccords d'aspiration installés dans votre piscine pour connecter le robot de piscine du côté aspiration sont homologués aux normes de sécurité applicables telles que IAPMO SPS 4. Ne pas obstruer les raccords d'aspiration dans la piscine, l'ouverture de l'aspiration du robot ou ses flexibles avec quelque partie du corps que ce soit. Garder les cheveux, les vêtements amples, les bijoux, etc. loin des raccords d'aspiration de la piscine/du spa ou du robot.

Mettez en marche le système de filtration et remplissez le tuyau avec de l'eau en plaçant l'extrémité devant un retour d'eau jusqu'à ce qu'elle soit inondée. Arrêtez la pompe.

#### Pour se relier à une ligne d'aspiration dédiée :

1. Attachez l'extrémité mâle du tuyau au coude à verrou tournant.
2. Raccordez le coude à l'installation VCA sur le mur.
3. Orientez le coude vers le haut, en direction de la surface de l'eau (voir la figure).



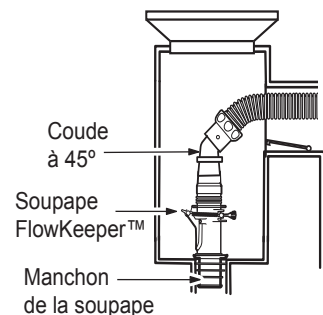
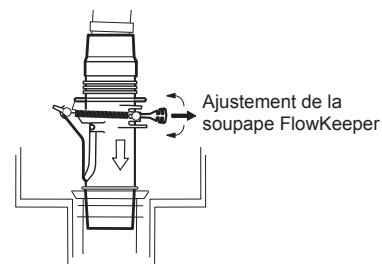
#### Pour le raccordement à une écumoire :

**La soupape FlowKeeper™ doit être toujours utilisée dans les installations à écumoire unique.** La soupape règle l'écoulement pour assurer que la pompe aussi bien que le robot de la piscine fonctionnent correctement. Elle est préréglée en usine pour optimiser le rendement du robot, mais elle offre aussi trois (3) configurations pour régler le débit. Plus le numéro de la configuration est faible, plus l'écoulement est faible. Pour l'ajuster, tirez la poignée et déplacez la configuration désirée vers le haut ou vers le bas. L'étiquette rouge peut être utilisée pour ouvrir la soupape et arrêter le robot.

Si la piscine a plus d'une écumoire, raccorder le tuyau à celle la plus près de la pompe.

Les pièces employées pour raccorder le tuyau et l'ordre dans lequel elles sont installées dépendent du type d'écumoire.

1. Enlevez le panier de l'écumoire.
2. Insérez le manchon de la soupape, puis raccordez la soupape FlowKeeper avec la flèche pointant vers le bas, vers la partie inférieure de l'écumoire.
3. Choisissez la combinaison de l'installation qui est la plus convenable pour l'écumoire afin d'accomplir le raccordement. Glissez le coude à 45 degrés au-dessus de la soupape FlowKeeper ou glissez le flexible directement sur la soupape FlowKeeper.

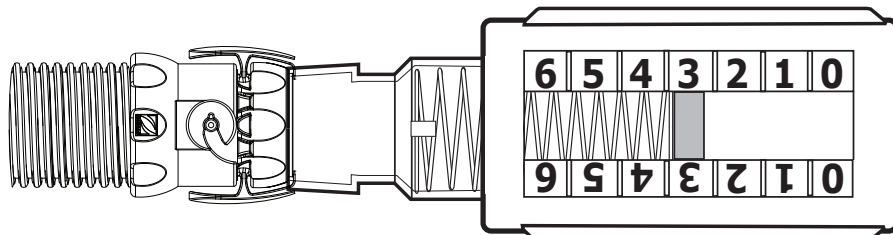




## Vérification et ajustement d'un écoulement approprié

Avant d'installer l'aspirateur, vérifiez et ajustez d'un écoulement approprié. Maintenez le flexible immergé, puis fixez le connecteur rapide à l'extrémité du flexible. Cliquez la jauge d'écoulement sur le connecteur et mettez en marche la pompe.

Vérifiez que l'indicateur rouge dans la jauge (vue du côté) est sur la configuration numéro 3.



Au besoin, utilisez les valves dans le secteur d'équipement de la piscine pour ajuster l'écoulement que l'indicateur rouge est sur la configuration numéro 3.

- **Pour des raccordements d'écumoirs dans des piscines à une (1) écumoire**, le débit est automatiquement réglé par la soupape FlowKeeper™. L'indicateur rouge devrait être sur la configuration numéro 3.
- **Pour des raccordements d'écumoirs dans les piscines à une plus d'une (1) écumoire**, laissez la soupape de l'écumoire raccordée au flexible ouvert, puis fermez lentement l'autre écumoire jusqu'à ce que le réglage approprié soit atteint.
- **Pour des raccordements dédiés sur les lignes d'aspiration**, laissez la ligne d'aspiration ouverte et fermez lentement la ligne de l'écumoire jusqu'à ce que l'écoulement soit configuré à la configuration numéro 3.

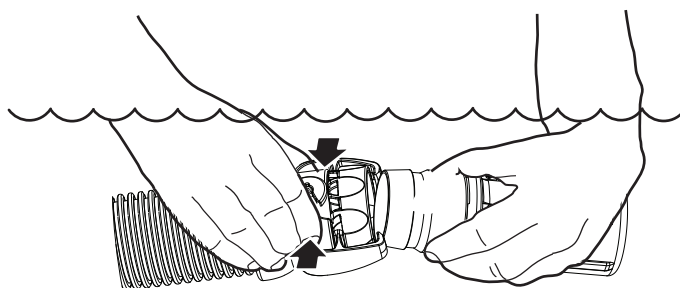
### Si la circulation d'écoulement est basse (0-2):

- Vérifiez et nettoyez le filtre de la piscine et les paniers au besoin.
- Vérifiez que les valves qui contrôlent les lignes d'aspiration sont dans les positions ouvertes.
- Augmentez la configuration d'écoulement dans la soupape FlowKeeper.

### Si la circulation d'écoulement est élevée (4-6):

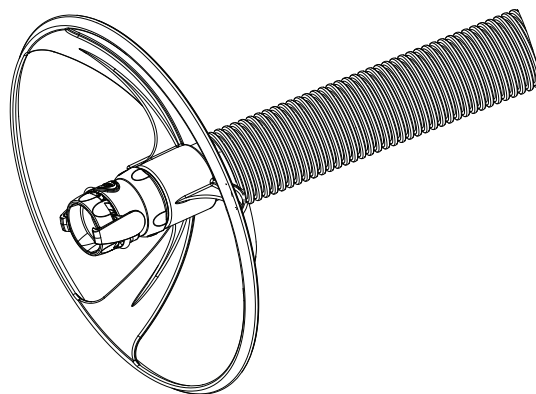
- Si se relie à une ligne d'aspiration réservée, serrez lentement la soupape jusqu'à l'indicateur rouge est sur la configuration numéro 3 .
- Diminuez la configuration d'écoulement dans la soupape FlowKeeper.
- Ouvrez légèrement le drain de fond principale pour réduire un peu plus l'écoulement.

**Arrêtez la pompe.** Maintenez le flexible immergé, puis retirez la jauge d'écoulement en serrant les points de pression sur l'un ou l'autre des côtés du connecteur rapide.



## Raccordement de la Déflecteur Cylindrique

L'anneau déflecteur peut être utilisé pour orienter le T5 Duo le long des marches ou d'autres obstacles de la piscine. Fixez l'anneau juste au-dessus du poignet du premier flexible.



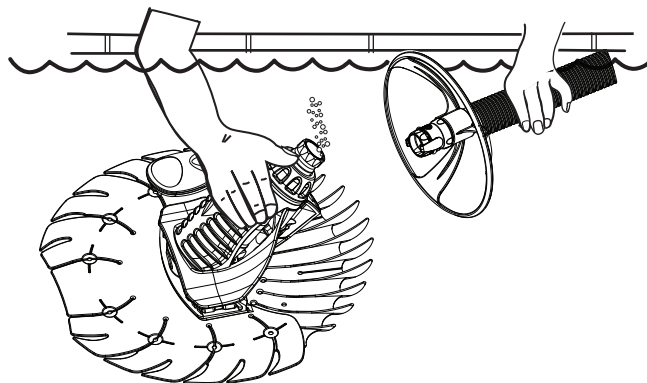
Fixez l'anneau en insérant l'extrémité du flexible du robot dans l'anneau extérieur, puis installez l'anneau en C sur le flexible.

## Raccordement du nettoyeur

### **⚠ AVERTISSEMENT**

Pour éviter les blessures graves, fermez la pompe d'aspiration du robot avant d'effectuer cette étape.

1. Immergez le nettoyeur et remplissez-le d'eau.
2. Lorsque les bulles cessent de sortir de l'aspirateur, raccordez le flexible au robot en poussant le connecteur rapide sur le tuyau d'extension extérieur—jusqu'à ce qu'il soit en position verrouillée par un déclic.
3. Permettez au robot de dériver au fond de la piscine. Mettez en marche la pompe de la piscine pour commencez à nettoyer. L'installation est complète.



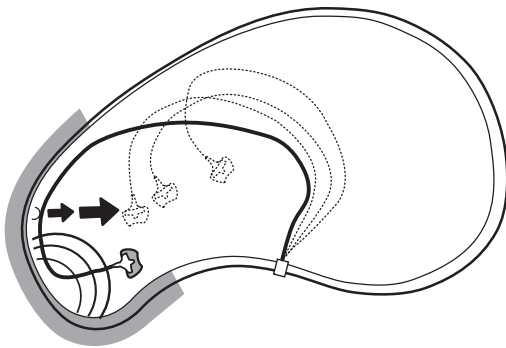
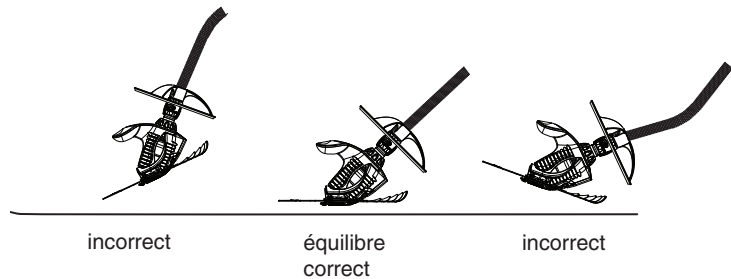
## Opération et entretien

### Ajustement de la performance du robot

Le T5 Duo fonctionne selon les cycles de la pompe de filtration de la piscine, aspirant et nettoyant toutes les surfaces de la piscine de manière aléatoire. La couverture du robot dépend de la forme de la piscine et de l'écoulement d'eau disponible. Dans quelques applications, les ajustements peuvent être nécessaires pour optimiser la couverture du nettoyage.

Un flexible correctement équilibré créera un angle de 45° avec le robot et le fond de la piscine.

Dans les piscines profondes de 2,5 m (8,5 pi) ou plus, un poids supplémentaire de tuyau (pièce n° W83247) peut être nécessaire. Attachez le poids supplémentaire de 1,5 à 2,5 m (5 à 8 pi.) du robot.



Une ligne de retour peut être employée pour diriger le robot loin des étapes ou des secteurs avec les coins en forme de V, et ainsi réduire le patron.

Dirigez la ligne de retour pour pousser doucement le tuyau du robot en plaçant le globe oculaire directionnel de retour, de manière à ce qu'il soit orienté vers le mur du côté opposé de la piscine. Ajustez-le jusqu'à ce que le mouvement de la surface soit visible à 2,4 m (8 pi.) en dehors du retour.

Dans cet exemple, n'importe quel retour dans la zone grise peut être employé.

### Entretien de routine

Pour maintenir la performance :

- Ne jamais enrouler le tuyau. Redressez un tuyau enroulé avec de l'eau chaude ou en l'étendant sous le soleil pendant une journée. **Un flexible noué ou enroulé aura un effet défavorable sur la couverture de la piscine par le robot.**
- Quand il n'est pas dans la piscine, maintenez le disque plat pour éviter la déformation.
- Examinez périodiquement les pièces du robot pour vérifier l'usage. Remplacez le talon quand les profondeurs des canaux entre les bandes de roulement sont de 1,6 mm (1/16 po) ou moins.
- Nettoyez complètement le panier de l'écumoire, le panier de la pompe et le filtre régulièrement.
- Débranchez toujours le robot du mur ou de l'écumoire de la piscine avant de nettoyer ou faire un remous du filtre de la piscine. Après le nettoyage ou le ressac, laissez fonctionner le système de filtration pendant au moins cinq (5) minutes avant de rebrancher le robot.

## Nettoyage du diaphragme

### **⚠ AVERTISSEMENT**

**Pour éviter les blessures graves, fermez la pompe d'aspiration du robot avant d'effectuer cette étape.**

Si le robot s'arrête, fermez la pompe d'aspiration du robot, sortez le robot de l'eau, puis vérifiez le diaphragme afin de voir s'il est obstrué.

1. Mettez le robot sur le côté (Voir la Figure 1).
2. Examinez le diaphragme et dégagez les débris ou les occlusions.

S'il n'est pas obstrué, examinez le diaphragme pour la présence d'usure ou de dommage.

### **Pour accéder au ou enlever le diaphragme :**

1. Dévissez l'écrou manuel (Voir la Figure 2).
2. Retirez l'écrou manuel, le moteur et la rondelle de butée supérieure du boîtier (Voir la Figure 3).
3. Mettez de côté l'écrou manuel et la rondelle de butée supérieure.
4. Dévissez le tuyau d'extension extérieur de l'unité de la cuvette (Voir la Figure 4).
5. Séparez le tuyau d'extension intérieur, puis retirez le diaphragme (Voir la Figure 5).
6. Examinez le diaphragme pour vérifier l'usage et rincez-le minutieusement avec de l'eau. Remplacez-le au besoin.

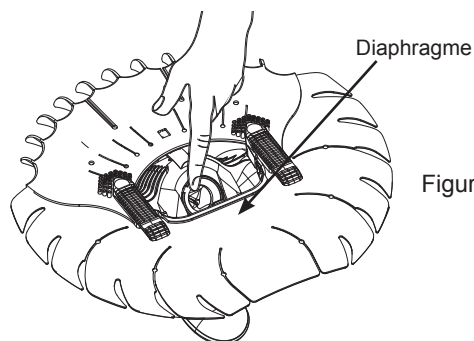


Figure 1

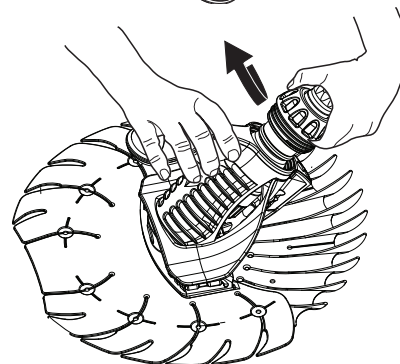


Figure 2

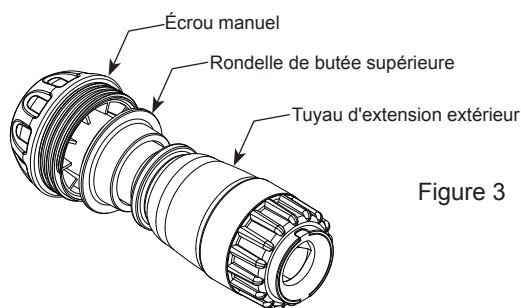


Figure 3

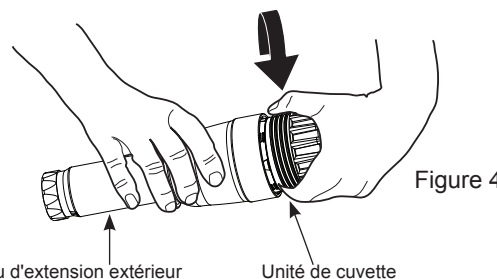


Figure 4

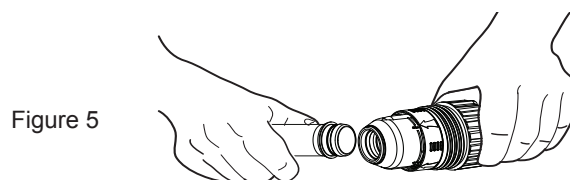


Figure 5

### Pour réinstaller le diaphragme :

1. Fixez le diaphragme au tuyau d'extension intérieur.
2. Insérez la pipe et le diaphragme internes dans l'ensemble. Alignez les onglets du diaphragme avec les encoches, puis tirez de façon droite (ne pas tourner) jusqu'à ce que le bord du diaphragme soit visible (Voir les Figures 6 et 7).
3. Vissez le tuyau d'extension extérieur, puis glissez la rondelle de butée et l'écrou manuel sur le tuyau d'extension extérieur (Voir la Figure 8).
4. Insérez le moteur dans le boîtier, puis vissez l'écrou manuel serré (Voir la Figure 9).
5. Assurez-vous que le tuyau d'extension pivote librement en le faisant tourner (Voir la Figure 10).

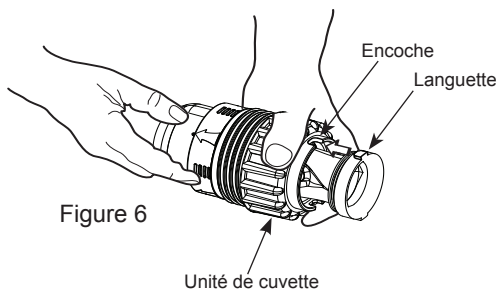


Figure 6

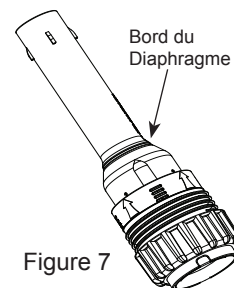


Figure 7

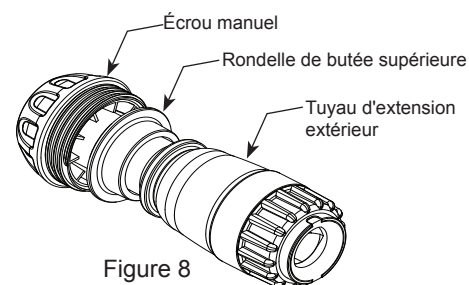


Figure 8

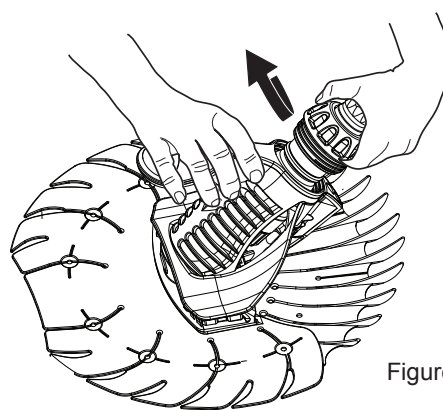


Figure 9

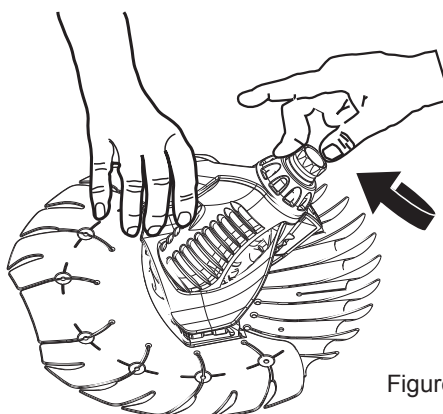
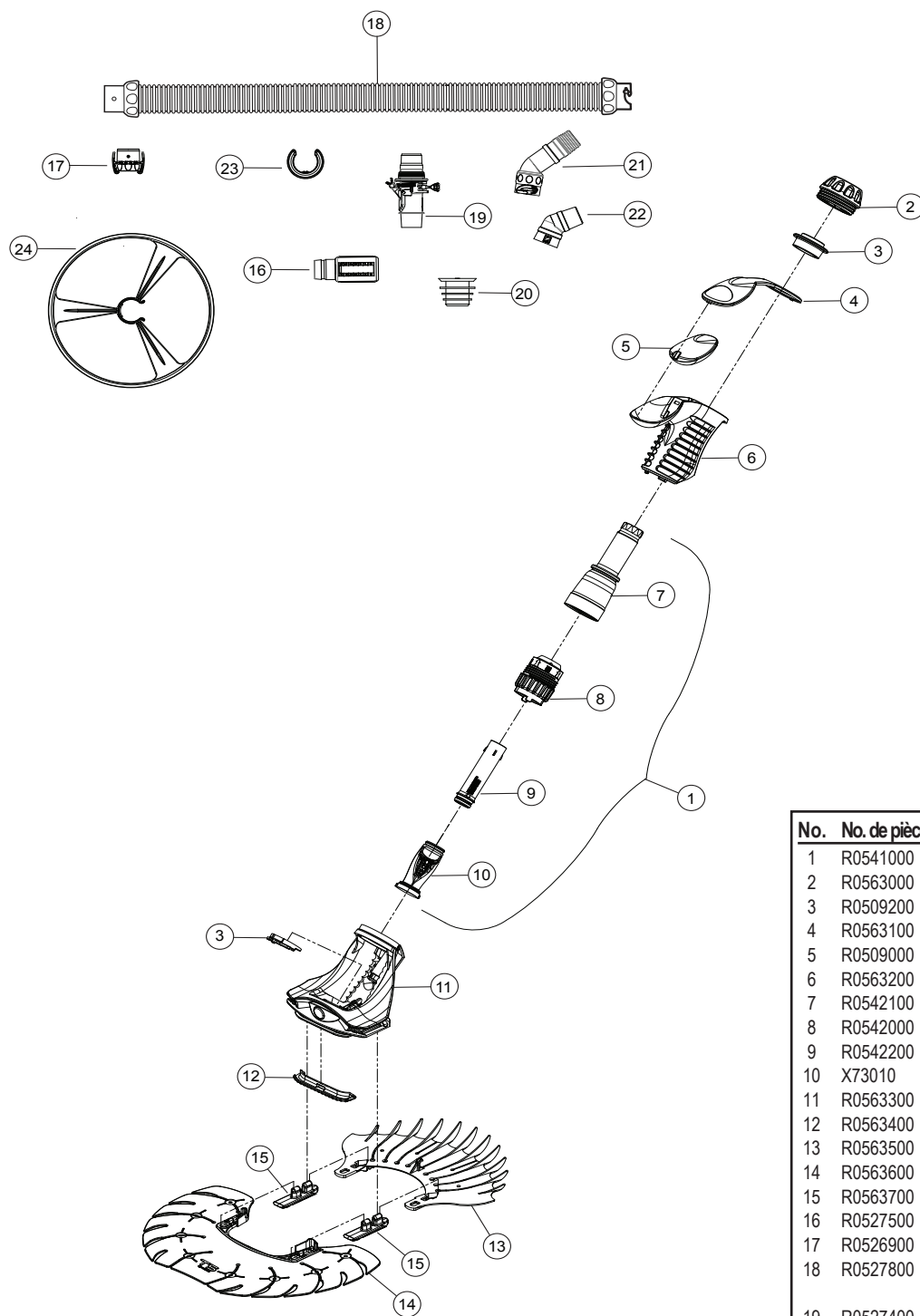


Figure 10

### Rangement et hivernage

Ne jamais enrouler le tuyau. Ranger le T5 Duo loin de la lumière directe du soleil. Lorsque vous allez le stocker pour l'hiver, éliminez toute l'eau du robot. Enlevez tous les connecteurs et adaptateurs de la ligne d'aspiration réservée ou de l'écumoire. Stockez le disque plat et les sections du tuyau débranchées, sèches et droites.

## Schéma des pièces du T5 Duo



No.	No. de pièce	Description	Qté
1	R0541000	Ensemble moteur T-5	1
2	R0563000	Écrou manuel T-5	1
3	R0509200	Rondelles de butée T-5	2
4	R0563100	Bouchon principal du boîtier T-5	1
5	R0509000	Flotteur T-5	1
6	R0563200	Couvercle principal du boîtier T-5	1
7	R0542100	Tuyau d'extension externe T-5	1
8	R0542000	Ensemble coupelle T-5	1
9	R0542200	Tuyau d'extension interne T-5	1
10	X73010	Membrane T5	1
11	R0563300	Ensemble boîtier avec butoir T-5	1
12	R0563400	Plaque de protection T-5	1
13	R0563500	Disque avant T-5	1
14	R0563600	Disque arrière T-5	1
15	R0563700	Talons T-5	2
16	R0527500	Jauge de débit Zodiac	1
17	R0526900	Connecteur rapide T-5	1
18	R0527800	Flexible à verrou tournant - 1 Mètre, (emballage de 12)	1
19	R0527400	Fixation de robinet Flowkeeper™	1
20	R0527600	Coude à fixation de robinet intégré	1
21	R0532400	Coude à verrou tournant, 45°, étendu	1
22	R0532500	Coude à déversoir 45° (EVA)	1
23	R0542600	Poids du flexible universel	1
24	R0541900	Défecteur articulé T-5, Fixation du flexible	1

## Dépannage des problèmes

Si vous éprouvez un problème avec votre T5 Duo, veuillez suivre les étapes de dépannage ci-dessous pour rétablir le rendement. Si vous avez besoin d'aide supplémentaire, communiquez avec le service à la clientèle de Zodiac. Veuillez avoir votre numéro de série et date d'achat disponibles quand vous appelez.

### Dépannage de problèmes

---

Le robot ne se déplace pas au moment du démarrage ou se déplace lentement.

- Utilisez la jauge d'écoulement pour vérifier l'écoulement approprié.
- Confirmez que la canalisation principale est fermée.
- Examinez le diaphragme pour trouver un blocage, un dommage ou l'usure.
- Vérifiez la présence d'air dans le système. Si le niveau d'eau dans le panier de la pompe chute ou que vous voyez des bulles d'air dans le panier de la pompe ou provenant des conduits de retour, il y a de l'air dans le système. Vérifiez les flexibles, resserrez tous les raccords de la pompe et vérifiez le joint torique de la pompe pour la présence d'usure.

---

Les mouvements du robot ne couvrent pas la totalité de la piscine.

- Utilisez la jauge d'écoulement pour vérifier l'écoulement approprié. Réduisez l'écoulement pour écarter le robot des parois.
- Assurez-vous que les garnitures de retour sont dirigées vers le bas. Ajoutez un détournement de retour au besoin.
- Assurez-vous que le tuyau n'est pas enroulé ou noué. Étendez-le au soleil au besoin pour le redresser.
- Vérifier le positionnement correct du poids du flexible : 1 m (39 po.) du robot.
- Vérifiez que le moteur tourne librement à l'intérieur du corps du robot.
- Confirmez la longueur appropriée de tuyau.

---

Le robot se coince aux étapes.

- Utilisez la jauge d'écoulement pour vérifier l'écoulement approprié.
- Confirmez la longueur appropriée de tuyau. Réduisez au besoin.
- Utilisez les gicleurs de retour pour guider le robot.

---

Le robot reste sur les parois ou le bord de la piscine.

- À l'aide de la jauge d'écoulement, réduisez l'écoulement à la position numéro 2.
- Vérifiez le positionnement correct du poids du flexible : 1 m (39 po.) du robot.

---

Le robot ne monte pas sur les parois.

- Utilisez la jauge d'écoulement pour vérifier l'écoulement approprié à la position numéro 3.
- Vérifiez le positionnement correct du poids du flexible : 1 m (39 po.) du robot.

## Información Importante

### ADVERTENCIA

**RIESGO DE QUEDAR ATRAPADO POR LA SUCCION, LO CUAL, SI NO ES EVITADO PUEDE RESULTAR EN LESIONES GRAVES O MUERTE. LEA ESTE MANUAL COMPLETAMENTE ANTES DE INSTALAR Y OPERAR EL LIMPIAFONDOS.** Asegurese que los ajustes de succión y aspiración instalados en su piscina para la conexión de succión al lado del limpiafondos estén certificados en conformidad de las normas de seguridad aplicables tales como IAPMP SPS 4. No bloquee los ajustes de succión con alguna parte de su cuerpo. No exponga su cabello, ropa suelta, joyas, etc, al desagüe o salidas de los ajustes de succión en la piscina/spa o del limpiafondos.

**Aviso para las piscinas con revestimiento de vinilo:** Antes de instalar su nuevo limpiafondos automático, examine el interior de su piscina cuidadosamente. Si el revestimiento de vinilo es frágil o tiene piedras, arrugas, raíces o herrumbre en contacto con la parte inferior del revestimiento, o tiene daños en el material de base o las paredes de apoyo, no instale el limpiafondos sin que un profesional capacitado haga antes las reparaciones necesarias o reemplace el revestimiento. **Zodiac Pool Systems, Inc. no será responsable del daño del revestimiento, tejido removido de revestimiento de vinilo, o un limpiafondos utilizado en una piscina que tiene un viejo o deteriorado de revestimiento.** Por favor lea la garantía limitada.

- Para ayudar a prevenir accidentes de atascamiento por succión, los ajustes de aspiración de pared deben tener un bloqueo de aspiración de seguridad instalado. Contacte a su constructor o profesional de piscinas para más detalles.
- Limpie la canasta del colector de espuma, la canasta de la bomba y el filtro de la piscina antes de instalar el limpiafondos y luego hágalo regularmente.
- Desconecte siempre el limpiafondos antes de limpiar o hacer lavado contracorriente del filtro de la piscina. Después de la limpieza, deje que el sistema de filtrado funcione durante al menos cinco (5) minutos antes de volver a conectar el limpiafondos.
- Quite el limpiafondos de la piscina antes de aplicar tratamientos con químicos. Espere un mínimo de cuatro (4) horas después de cloración fuerte antes de volver a instalar el limpiafondos.

#### Para atención/ayuda al cliente:

##### Zodiac Pool Systems, Inc.

2620 Commerce Way  
Vista, CA 92081-8438  
1-800-822-7933

[www.zodiacpoolsystems.com](http://www.zodiacpoolsystems.com)

##### Zodiac Pool Systems Canada, Inc.

2115 South Service Road West, unit 3  
Oakville, ON L6L 5W2  
1-888-647-4004

[www.zodiacpoolsystems.ca](http://www.zodiacpoolsystems.ca)

Para garantizar un servicio de garantía inmediato, si se le solicitara, por favor:

- Complete y devuelva la tarjeta de garantía de Zodiac.
- Registre la información de su compra.
- Adjunte a este documento una copia del recibo de su compra.

Fecha de compra: \_\_\_\_\_ Comprado en: \_\_\_\_\_

Número de serie (que aparece en la parte inferior del limpiafondos) \_\_\_\_\_

Si necesita servicio, simplemente presente su manual del usuario con el recibo adjunto en cualquier proveedor registrado de Zodiac por servicio de garantía.

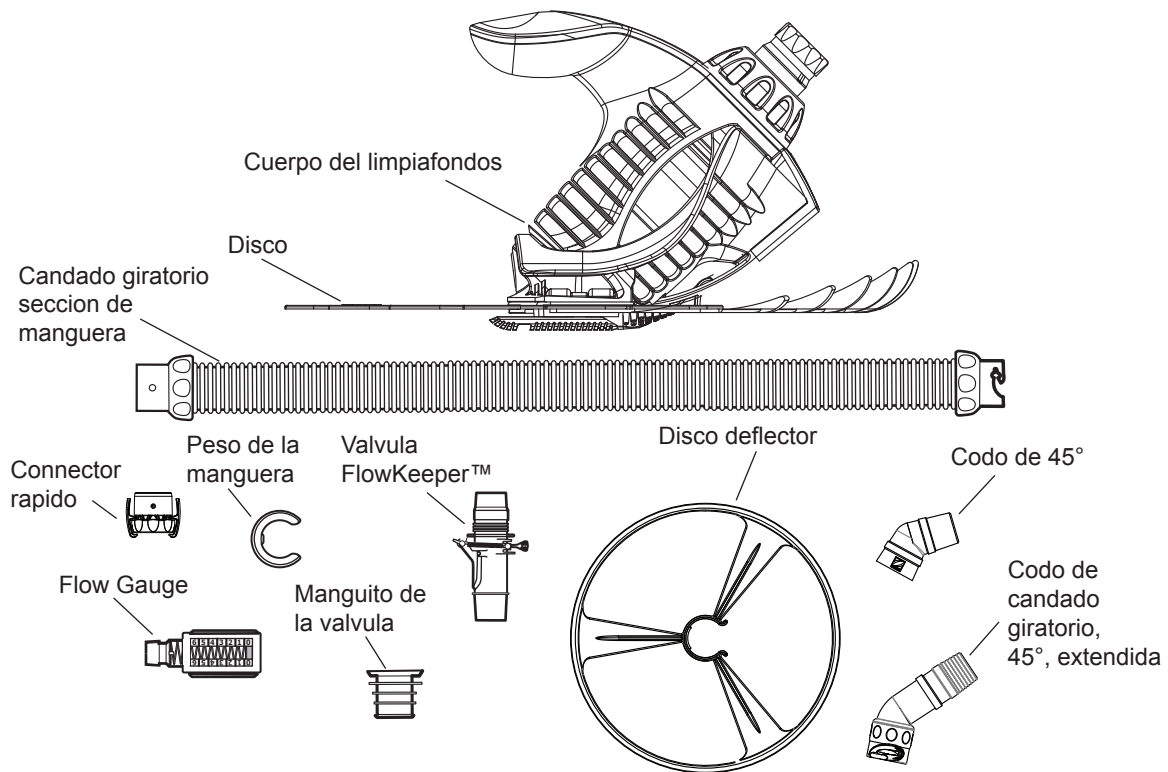


# Introducción

Felicidades por la compra de su nuevo T5 Duo lado de succión del limpiafondo. Construido con tecnología demostrada, el T5 está diseñado y fabricado para una fácil instalación, y con muchos años de operación libre de preocupaciones.

El T5 se conecta a una línea de limpieza (succión) o a un espumador de piscina. Cuando el agua fluye a través del limpiafondos, la suciedad y los desechos se dirigen directamente al sistema de filtración de la piscina.

Antes de instalar el limpiafondos, por favor, tómese unos momentos para familiarizarse con sus componentes y para revisar los aspectos indicados en la **Información Importante** en la página anterior.



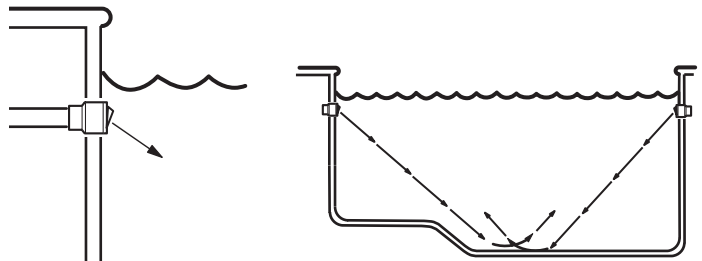
## Instalación rápida

### Prepare la piscina

1. Aspire la piscina en forma manual si hay exceso de desechos y asegúrese de que el filtro de la piscina y la canasta de la bomba estén limpios.
2. Cierre la línea de drenaje principal de la piscina.
3. **Ajuste las líneas de retorno para que soplen hacia abajo para romper la circulación de la superficie y garantizar la cobertura completa en la limpieza.**

- Afloje el anillo de bloqueo de la conexión
- Mueva el ojo para que apunte hacia abajo
- Vuelva a apretar el anillo de bloqueo

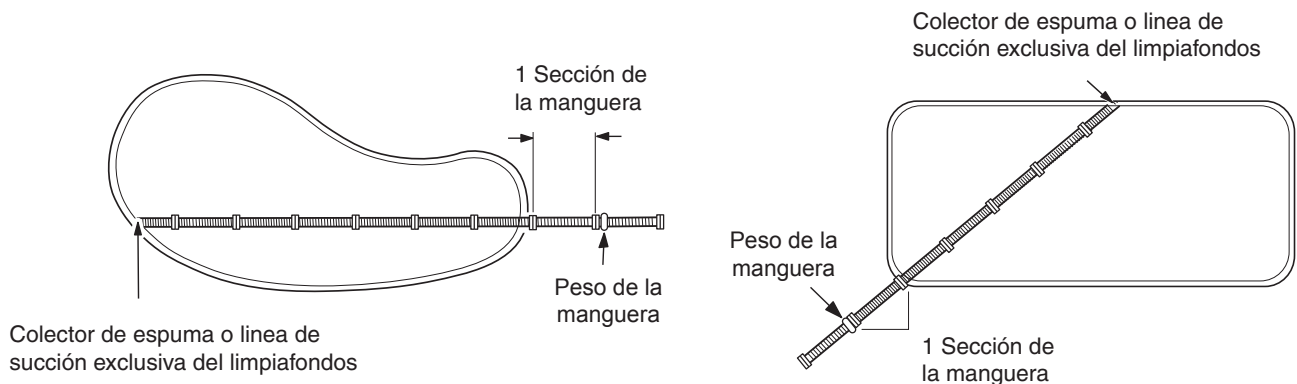
Si la conexión de retorno no puede ajustarse, debe reemplazarla con el desviador de la línea de retorno Zodiac (pieza n° W90153 para 3,8 cm (1,5 pulgadas) , n° W90155 para 5 cm (2 pulgadas) o n° W24100 para piscinas que no tienen conexión de retorno).



### Arme la manguera

La manguera de fácil utiliza conectores de bloqueo giratorio. Empuje y gire los conectores de cada sección de la manguera hasta que encaje en su posición con un chasquido.

1. Conecte la manguera suficiente para alcanzar el punto más alejado de la piscina, a continuación, agregue dos (2) mangueras de más.
2. Coloque la pesa de la manguera en el extremo de la manguera de la sección primera, alrededor de 1 m (39 pulgadas) de la aspiradora.



## Conecte la manguera

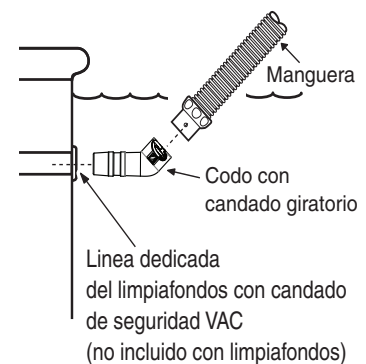
### ⚠ ADVERTENCIA

**RIESGO DE QUEDAR ATRAPADO POR LA SUCCION, LO CUAL, SI NO ES EVITADO PUEDE RESULTAR EN LESIONES GRAVES O MUERTE. LEA ESTE MANUAL COMPLETAMENTE ANTES DE INSTALAR Y OPERAR EL LIMPIAFONDOS.** Asegúrese que los ajustes de succión y aspiración instalados en su piscina para la conexión de succión al lado del limpiafondos estén certificados en conformidad de las normas de seguridad aplicables tales como IAPMP SPS 4. No bloquee los ajustes de succión con alguna parte de su cuerpo. No exponga su cabello, ropa suelta, joyas, etc, al desagüe o salidas de los ajustes de succión en la piscina/spa o del limpiafondos.

Encienda el sistema de filtrado y llene la manguera con agua colocando el extremo frente a una entrada de retorno hasta que rebalse. Apague la bomba.

### Para conectar una línea de succión:

1. Conecte el extremo macho de la manguera al codo con candado giratorio.
2. Conecte el codo al ajuste de pared con aspiración de seguridad.
3. Coloque el codo en ángulo hacia arriba, hacia la superficie del agua (ver la figura).



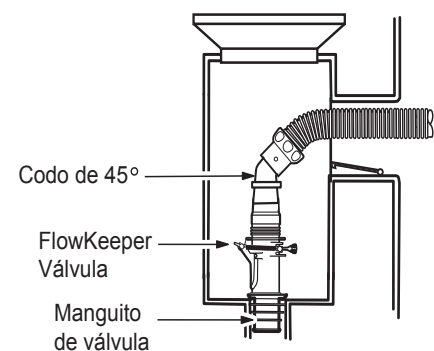
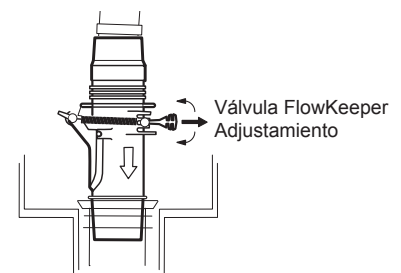
### Para conectar a un colector de espuma:

**La válvula FlowKeeper™ debe usarse siempre en instalaciones de un solo colector de espuma.** La válvula regula el caudal para garantizar que la bomba de la piscina y el limpiafondos funcionen correctamente. Viene ya configurada de fábrica para optimizar el desempeño del limpiafondos, pero ofrece tres (3) opciones para ajustar el caudal. Cuanto más bajo el número de configuración, más bajo será el caudal. Para ajustarlo, tire de la manija y mueva la configuración hacia arriba o hacia abajo. La trabilla roja puede usarse para abrir la válvula y detener el limpiafondos.

Si la piscina tiene más de un colector de espuma, conecte la manguera al que esté más cerca de la bomba.

Las partes que se usen para conectar la manguera y la secuencia usada para instalarlas dependerán del tipo de colector de espuma.

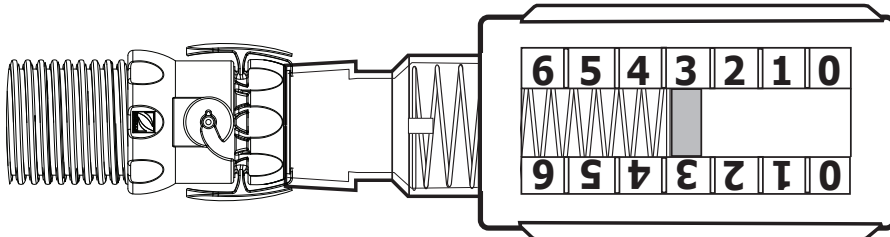
1. Quite la canasta del colector de espuma.
2. Inserte el manguito de la válvula y conecte la FlowKeeper con la flecha apuntando hacia abajo, hacia la parte inferior del colector de espuma.
3. Escoja una combinación de manguito que se ajuste al colector de espuma para completar la conexión. Deslice el codo de 45° sobre la válvula del FlowKeeper y de la parte del macho de la manguera sobre el codo, o deslice la manguera sobre la válvula del FlowKeeper.



## Pruebe y ajuste para comprobar que el caudal sea adecuado

Antes de la instalación del limpiafondos, pruebe y ajuste para comprobar que el caudal sea adecuado. Con la manguera sumergida, acople el conector flexible al extremo de la manguera. Acople el calibrador de caudal en el conector y encienda la bomba.

Verifique que el indicador rojo en el calibrador (visto del costado) esté en el número 3.



De ser necesario, use las válvulas en el área de equipos de la piscina para ajustar el caudal en el número 3.

- **Para las conexiones de colectores de espuma en piscinas que tienen un solo colector de espuma**, el caudal es regulado en forma automática por la válvula FlowKeeper™. El indicador rojo debe estar en la configuración número 3.
- **Para las conexiones de colectores de espuma en piscinas que tienen más de un colector de espuma**, deje la válvula para el colector de espuma conectado a la manguera abierta, luego cierre poco a poco el otro colector de espuma hasta alcanzar la configuración número 3.
- **Para conexiones de línea de succión exclusiva**, deje la línea de aspiración abierta y cierre poco a poco la línea del colector de espuma hasta que el caudal esté en la configuración número 3.

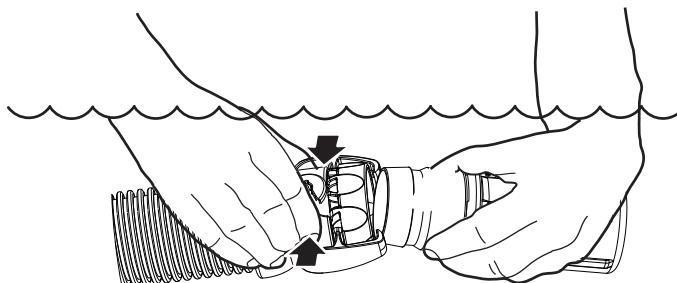
### Si el caudal está en el margen inferior (0-2):

- Revise y limpie el filtro de la piscina y las canastas de ser necesario.
- Verifique que las válvulas que controlan las líneas de succión estén en la posición abierta.
- Aumente la regulación del caudal en la válvula FlowKeeper.

### Si el caudal está en el margen superior (4-6):

- Para conexiones de línea de succión exclusiva, cierre poco a poco la válvula desde el indicador rojo debe estar en la configuración número 3.
- Baje la regulación del caudal en la válvula FlowKeeper.
- Abra ligeramente el drenaje principal para reducir más el caudal.

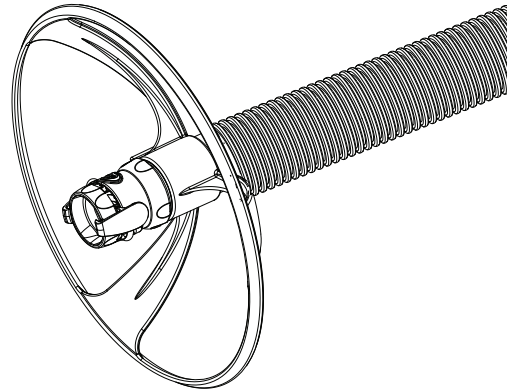
Apague la bomba. Mantenga la manguera bajo el agua, retire el medidor de caudal, apretando los puntos de presión a cada lado del conector rápido.



## Conecte la Rueda deflectora

El anillo deflector puede usarse para ayudar a dirigir el T5 Duo alrededor de gradas y otros obstáculos en la piscina. Sujete el anillo sobre el último maguito de la manguera.

Sujete el anillo colocando un extremo de la manguera a través del anillo exterior y empujando el broche C sobre la manguera.

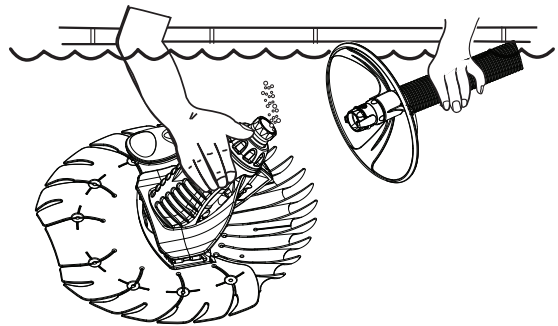


## Conecte el limpiafondos

### **ADVERTENCIA**

Para evitar lesiones graves, apague la bomba de succión del limpiafondos antes de realizar este paso.

1. Sumerja el limpiafondos y llenelo con agua.
2. Cuando dejen de salir burbujas del tubo de extensión, conecte la manguera del limpiafondos empujando el conector rápido en el tubo de extensión exterior hasta que encaje en su posición con un sonido clic.
3. Permita que el limpiafondos se mueva a la deriva hasta el fondo de la piscina. Encienda el bomba de la piscina por pieza a limpiar. La instalación ha finalizado.



## Mantenimiento y operación

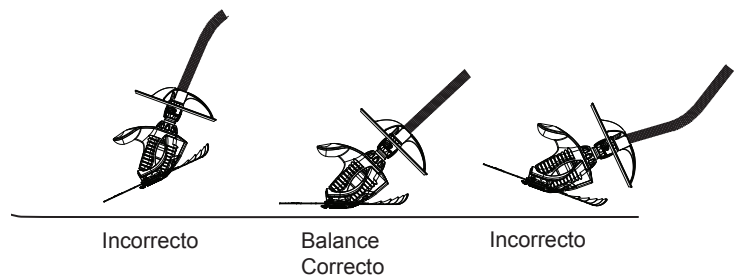
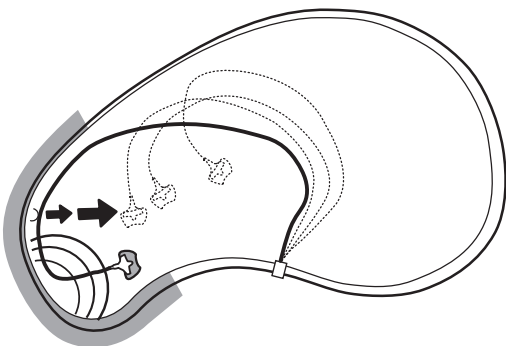
### Afinar el desempeño del limpiafondos

El T5 Duo funciona en ciclos de encendido/apagado mientras la bomba de filtrado de la piscina aspira y limpia todas las superficies al azar por toda la piscina. La cobertura del limpiafondos depende de la forma de la piscina y del caudal de agua disponible. En algunas aplicaciones, puede que sea necesario hacer ajustes para optimizar la cobertura de limpieza.

El peso de la manguera esta colocado para compensar el bamboleo de la manguera.

La manguera equilibrada en forma adecuada creará un ángulo de 45 grados entre el limpiafondos y el fondo de la piscina.

En piscinas de 2,5 m (8,5 pies) o más profundas, puede que sea necesario un peso de manguera (pieza n° W83247) adicional. Ajuste el peso adicional a entre 1,5 y 2,5 m (5 y 8 pies) del limpiafondos.



Puede usarse una línea de retorno para guiar el limpiafondos fuera de los escalones o de las áreas con esquinas en forma de V y reducir las franjas.

Dirija la línea de retorno para que empuje suavemente la manguera del limpiafondos colocando el ojo direccional de retorno en posición para que apunte hacia la pared del lado opuesto de la piscina. Ajuste hasta que el movimiento de la superficie sea visible a 2,5 m (8 pies) del retorno.

En este ejemplo, puede usarse cualquier retorno dentro del área gris.

### Mantenimiento de rutina

Para mantener el rendimiento:

- Nunca enrolle la manguera. Estire una manguera enrollada con agua tibia o extendiéndola y dejándola al sol durante un día. **Una manguera enroscada o enrollada tendrá un efecto adverso en la cobertura de la piscina del limpiafondos.**
- Cuando no esté en la piscina, mantenga plano el disco para evitar que se deforme.
- Inspeccione periódicamente las piezas del limpiafondos para detectar si se desgastan. Reemplace la almohadilla de pie cuando las profundidades de los canales entre los escalones sean de 1/16 pulgadas o menos.
- Limpie a fondo y regularmente la canasta del colector de espuma, la canasta de la bomba y el filtro.
- Siempre desconecte el limpiafondos de la pared de la piscina o del colector de espuma si va a limpiar o a hacer lavado contracorriente del filtro de la piscina. Luego de limpiar o de hacer lavado contracorriente, deje que el sistema de filtrado esté en funcionamiento durante al menos cinco (5) minutos antes de volver a conectar el limpiafondos.

## Limpieza del Diafragma

### ⚠ AVERTENCIA

Para evitar lesiones graves, apague la bomba de succión del limpiafondos antes de realizar este paso.

Si se detiene el limpiafondos, apague la bomba de succión del limpiafondos, remuevalo del agua, y después verifique que el diafragma no esté obstruido.

1. Voltee el limpiafondos (ver Figura 1).
2. Inspeccione el diafragma y empuje y saque los desechos u obstáculos.

Si no está bloqueado, verifique el desgaste o deterioro del diafragma.

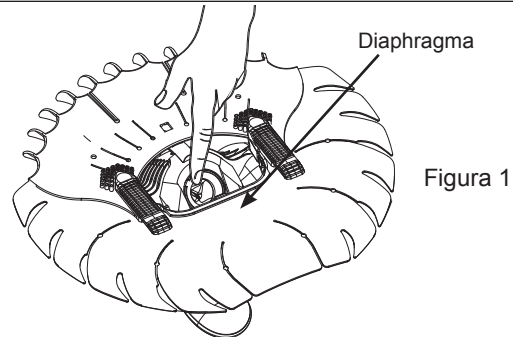


Figura 1

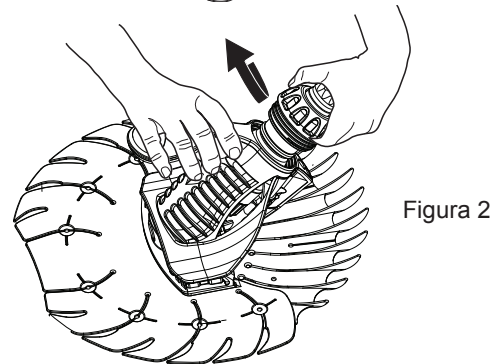


Figura 2

### Para acceder o retirar el diafragma:

1. Desenrosque la tuerca manual (ver Figura 2).
2. Remueva la tuerca manual, motor, y la arandela de empuje superior del cuerpo (ver Figura 3).
3. Ponga a un lado la tuerca manual y la arandela de empuje superior.
4. Desenrosque el tubo de extensión exterior del ensamble de la copa (ver Figura 4)
5. Separe el tubo de extensión interior y jale hacia afuera el diafragma. (ver Figura 5).
6. Inspeccione el diafragma de desgastey enjuague bien con agua. Reemplace si es necesario.

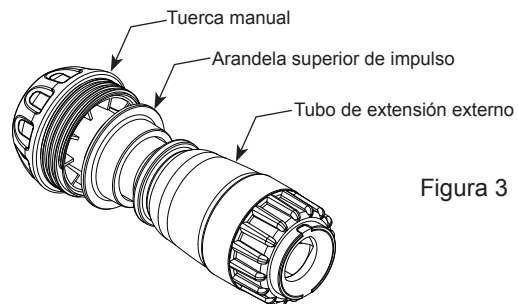


Figura 3

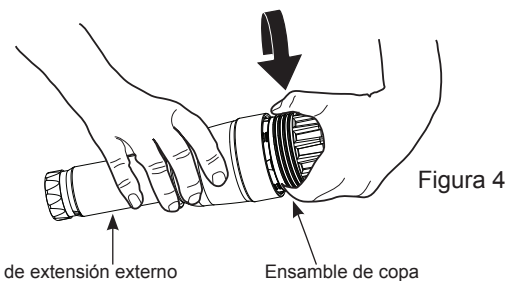


Figura 4

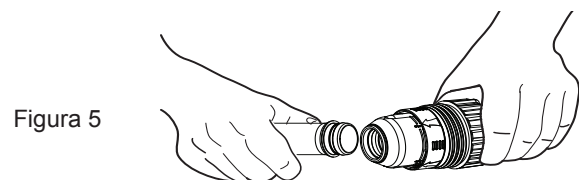
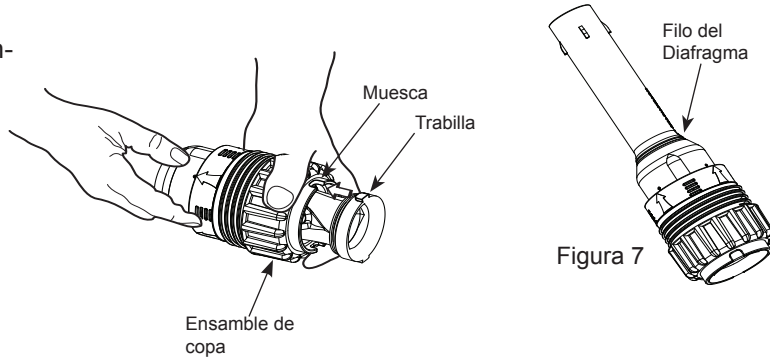


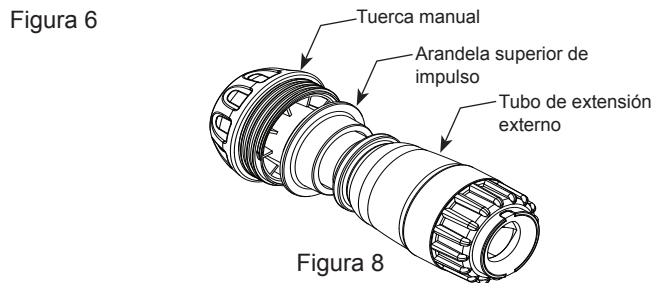
Figura 5

**Para reinstalar el diafragma:**

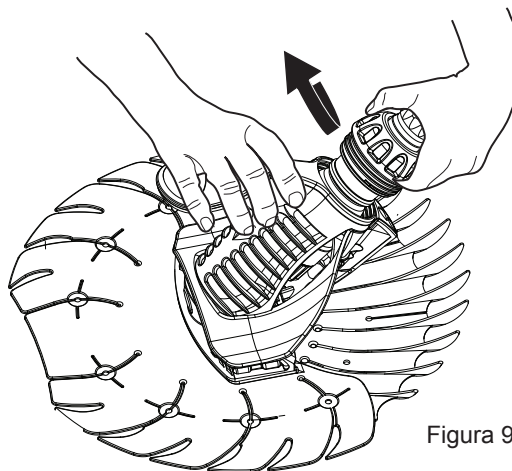
1. Sujete el diafragma al tubo de extensión interior.
2. Inserte el tubo interior y el diafragma en el ensamble de la copa. Alinee las trabillas del diafragma con las muescas y jalelo directamente (que no se fuerza) hasta que el borde del diafragma sea visible (Ver Figuras 6 y 7).



3. Enrosque el tubo de extensión exterior y deslice la arandela de empuje y la tuerca manual sobre el tubo de extensión exterior (véase la Figura 8).

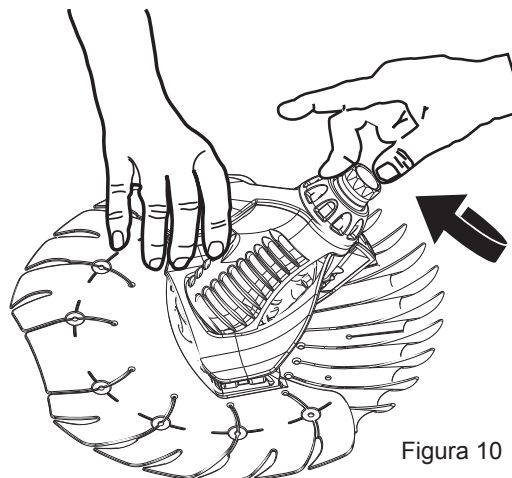


4. Inserte el motor en el cuerpo y enrosque y apriete la tuerca manual (ver Figura 9).
5. Asegúrese de que el tubo de extensión se mueva libremente haciéndolo girar (ver Figura 10).



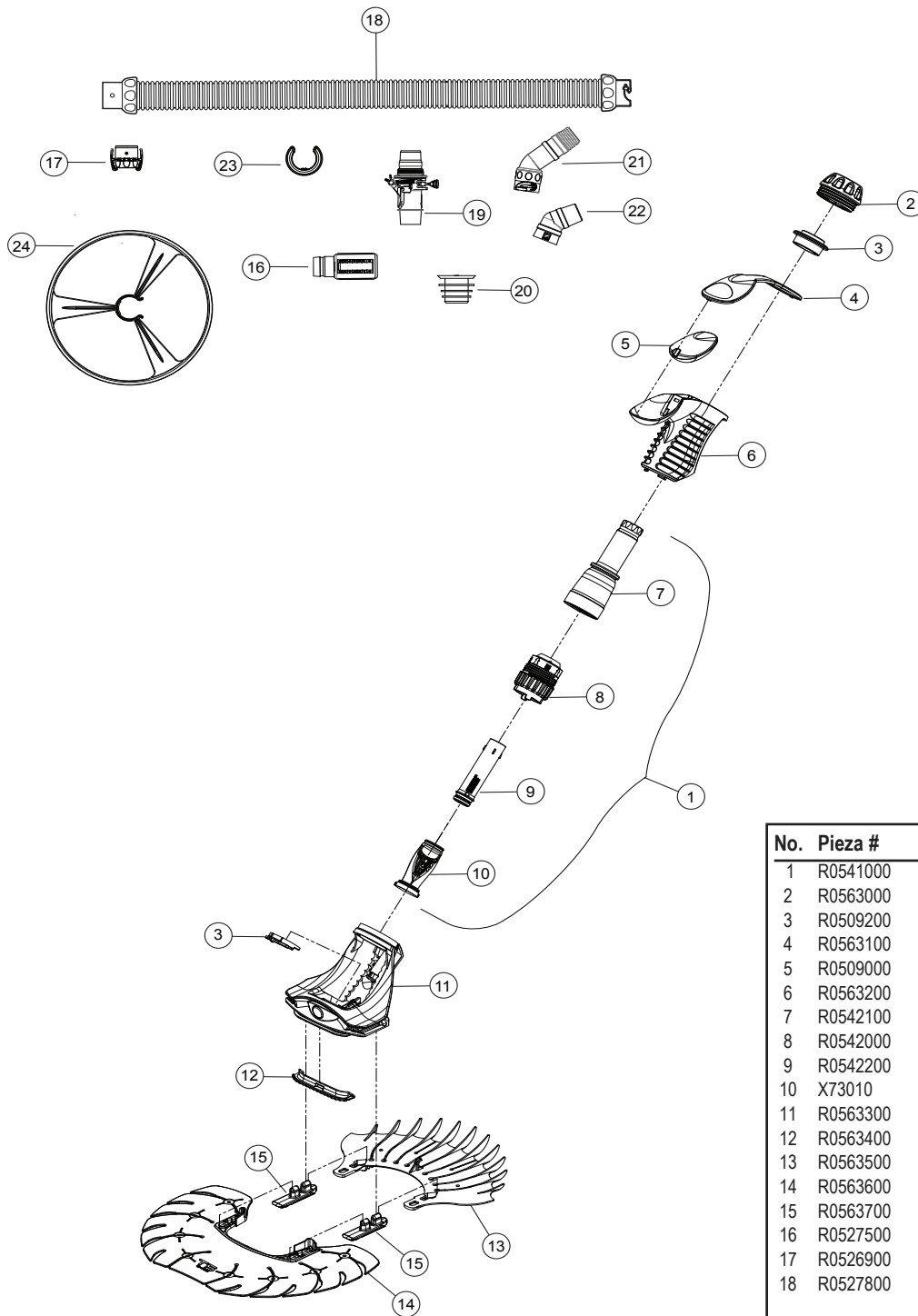
**Almacenamiento e Invernación**

Nunca enrolle la manguera. Siempre almacene el T5 Duo fuera de luz solar directa. Al almacenar para el invierno, drene toda el agua del limpiafondos. Retire todos los conectores y adaptadores de la línea de succión dedicada o de un limpiafondos. Almacene el disco plano con aletas, y las secciones de manguera desconectada, drenadas y rectas.





## T5 Duo Diagrama de piezas



No.	Pieza #	Descripción	Cant.
1	R0541000	T5 Ensamble del motor completo	1
2	R0563000	T5 Arandela manual	1
3	R0509200	T5 Arandelas de impulso	2
4	R0563100	T5 Copa del cuerpo principal	1
5	R0509000	T5 Flotador	1
6	R0563200	T5 Tapa del cuerpo principal	1
7	R0542100	T5 Tubo de extensión externo	1
8	R0542000	T5 Conjunto de copa	1
9	R0542200	T5 Tubo de extensión interno	1
10	X73010	Diaframa	1
11	R0563300	T5 Conjunto de cuerpo con bache	1
12	R0563400	T5 Placa bastidora	1
13	R0563500	T5 Disco frontal	1
14	R0563600	T5 Disco posterior	1
15	R0563700	T5 Almoadilla de pie	2
16	R0527500	Calibrador Zodiac de caudal	1
17	R0526900	T5 Conector rápido	1
18	R0527800	Manguera de candado giratorio, 1 metro, (paquete de 12)	1
19	R0527400	Válvula Flowkeeper™	1
20	R0527600	Manguito de Válvula	1
21	R0532400	Codo de candado giratorio, 45°, extendida	1
22	R0532500	Codo de 45° Weir (EVA)	1
23	R0542600	Peso de manguera universal	1
24	R0541900	T5 Rueda deflector, montaje de manguera	1

## Diagnóstico y localización de averías

Si tiene algún problema con su T5 Duo, por favor siga los pasos del diagnóstico y localización de averías a continuación para restablecer el funcionamiento normal. Si necesita más ayuda, contáctese con atención al cliente de Zodiac. Por favor tenga a mano su número de serie y fecha de compra cuando llame.

Problema	Solución
El limpiafondos no se mueve o se mueve lentamente.	<ul style="list-style-type: none"> <li>• Use el calibrador de caudal para verificar que el caudal sea adecuado.</li> <li>• Confirme que el drenaje principal esté cerrado.</li> <li>• Verifique que el diafragma no esté bloqueado, dañado ni gastado.</li> <li>• Lave el filtro contracorriente y vacíe la canasta de la bomba.</li> <li>• Verifique que no haya aire en el sistema. Si baja el nivel de agua en la canasta de la bomba o si ve que salen demasiadas burbujas de la canasta o de las líneas de retorno, quiere decir que hay aire en el sistema. Revise todas las conexiones de la manguera, apriete todos los acopladores en la bomba y revise el empaque de la canasta para ver si está gastado.</li> </ul>
El limpiafondos limpia sectores, no cubre la piscina entera.	<ul style="list-style-type: none"> <li>• Use el calibrador de caudal para verificar que el caudal sea adecuado. Reduzca el caudal para alejar el limpiafondos de las paredes.</li> <li>• Asegúrese de que los elementos de retorno estén apuntando hacia abajo. Agregue un desviador de retorno de ser necesario.</li> <li>• Asegúrese de que la manguera no esté enrollada ni enroscada. De ser necesario, extiéndala y deje que le dé el sol para estirla.</li> <li>• Verifique que la posición del peso de la manguera sea la correcta: aproximadamente 1 m (39 pulgadas) atrás del limpiafondos.</li> <li>• Verifique que el motor gire libremente dentro del cuerpo del limpiafondos.</li> <li>• Confirme que la longitud de la manguera sea adecuada.</li> </ul>
El limpiafondos se queda trabado en los escalones.	<ul style="list-style-type: none"> <li>• Use el calibrador de caudal para verificar que el caudal sea adecuado.</li> <li>• Confirme que la longitud de la manguera sea adecuada. De ser necesario, acórtela.</li> <li>• Use los chorros de retorno para guiar el limpiafondos.</li> </ul>
El limpiafondos se queda en las paredes o la orilla de la piscina.	<ul style="list-style-type: none"> <li>• Con el calibrador de caudal como guía, reduzca el caudal al limpiafondos.</li> <li>• Verifique que la posición del peso de la manguera sea la correcta: aproximadamente 1 m (39 pulgadas) atrás del limpiafondos.</li> </ul>
El limpiafondos no asciende por las paredes.	<ul style="list-style-type: none"> <li>• Use el calibrador de caudal para verificar que el caudal sea adecuado.</li> <li>• Verifique que la posición del peso de la manguera sea la correcta: aproximadamente 1 m (39 pulgadas) atrás del limpiafondos.</li> </ul>

## NOTAS

**Zodiac Pool Systems, Inc.**  
2620 Commerce Way, Vista, CA 92081  
1.800.822.7933 | [www.ZodiacPoolSystems.com](http://www.ZodiacPoolSystems.com)

*ZODIAC® is a registered trademark of Zodiac International, S.A.S.U., used under license.  
All trademarks referenced herein are the property of their respective owners.*

©2012 Zodiac Pool Systems, Inc. H0382900 Rev A 1204

